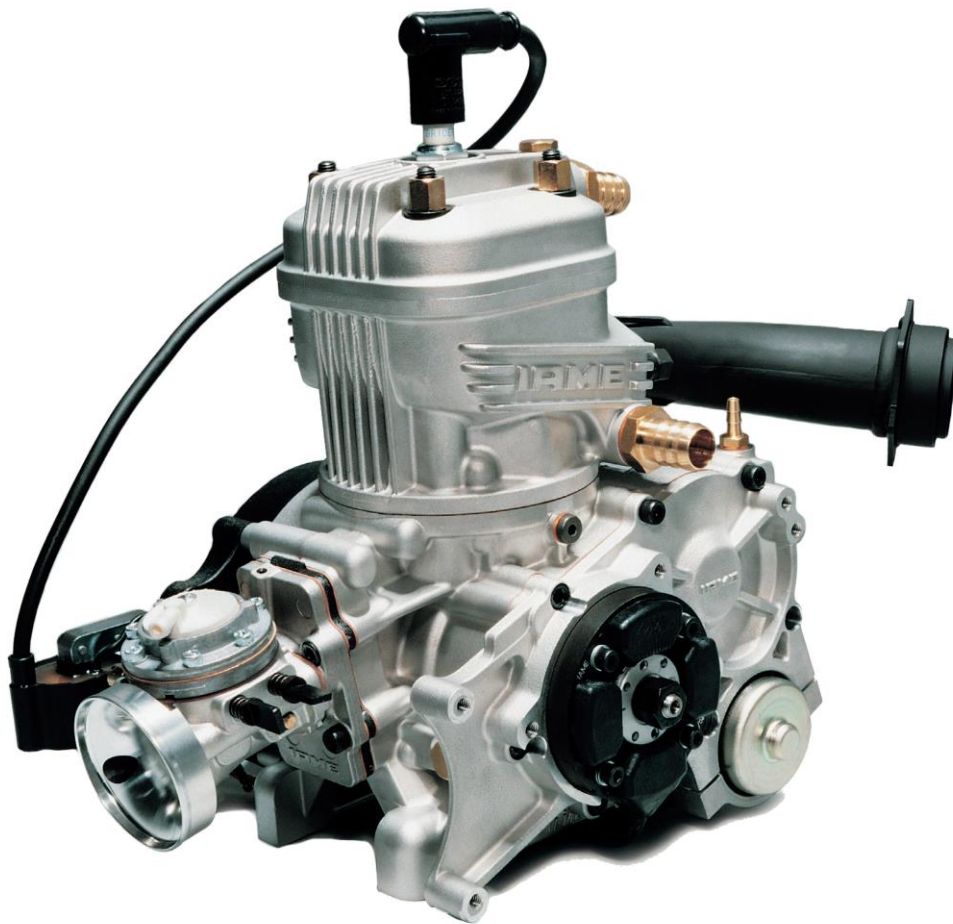


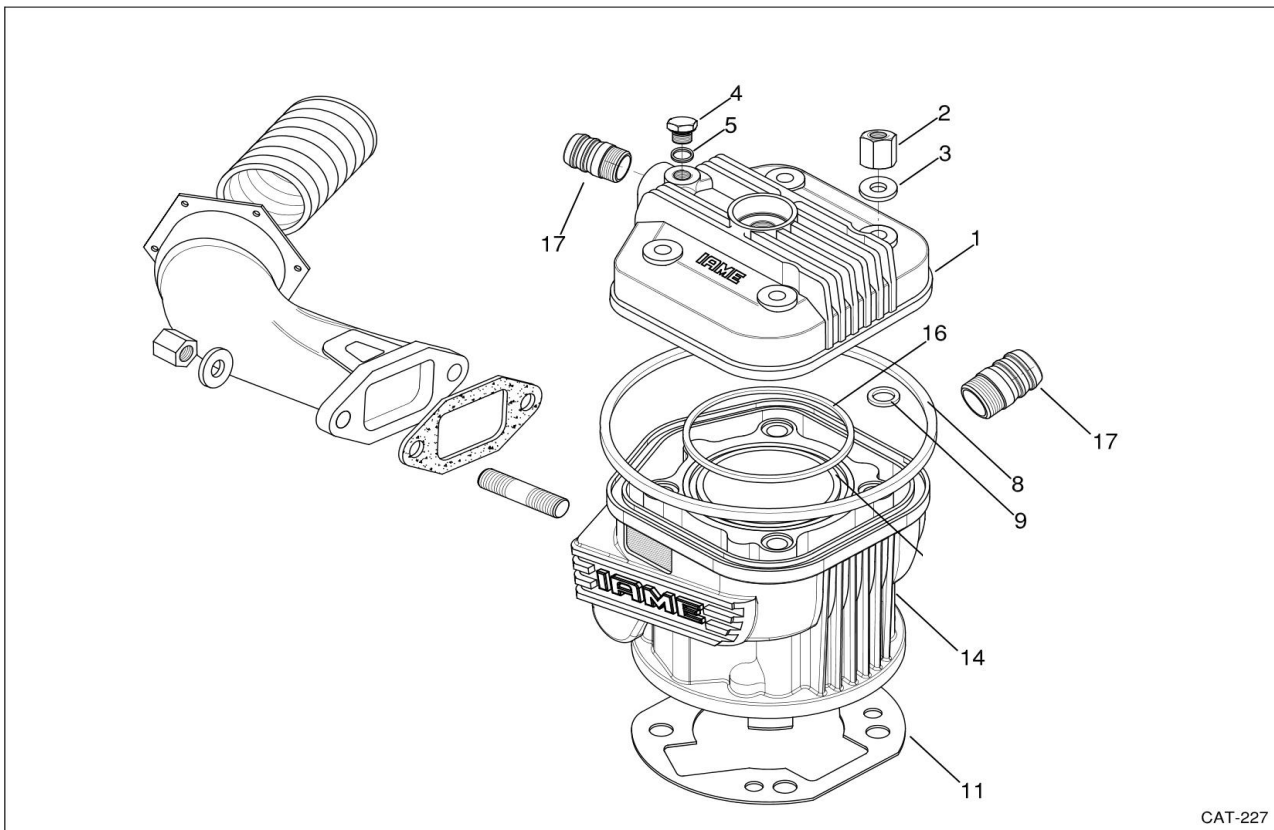
# IAME

The heart of kart

*IAME X30 - 16,000 RPM*

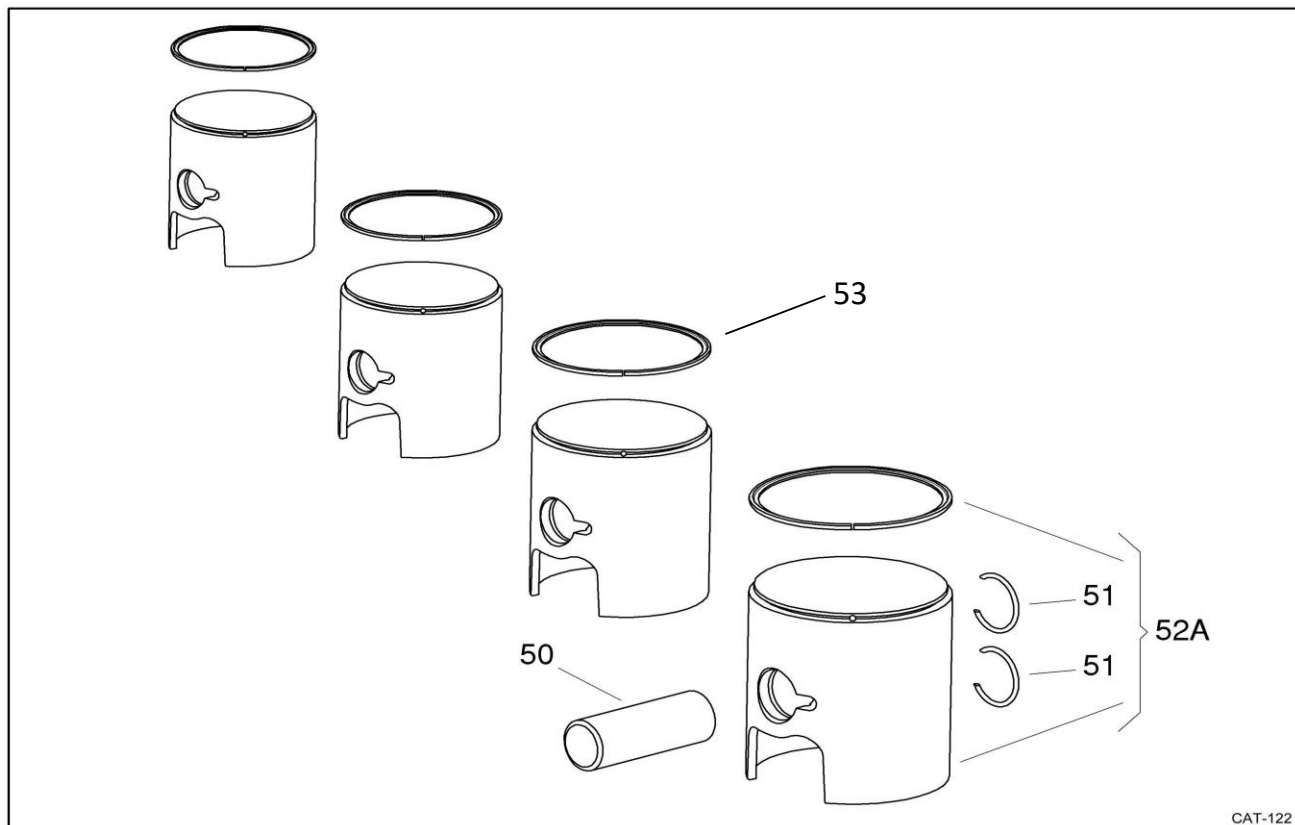


**2018 CATALOG**



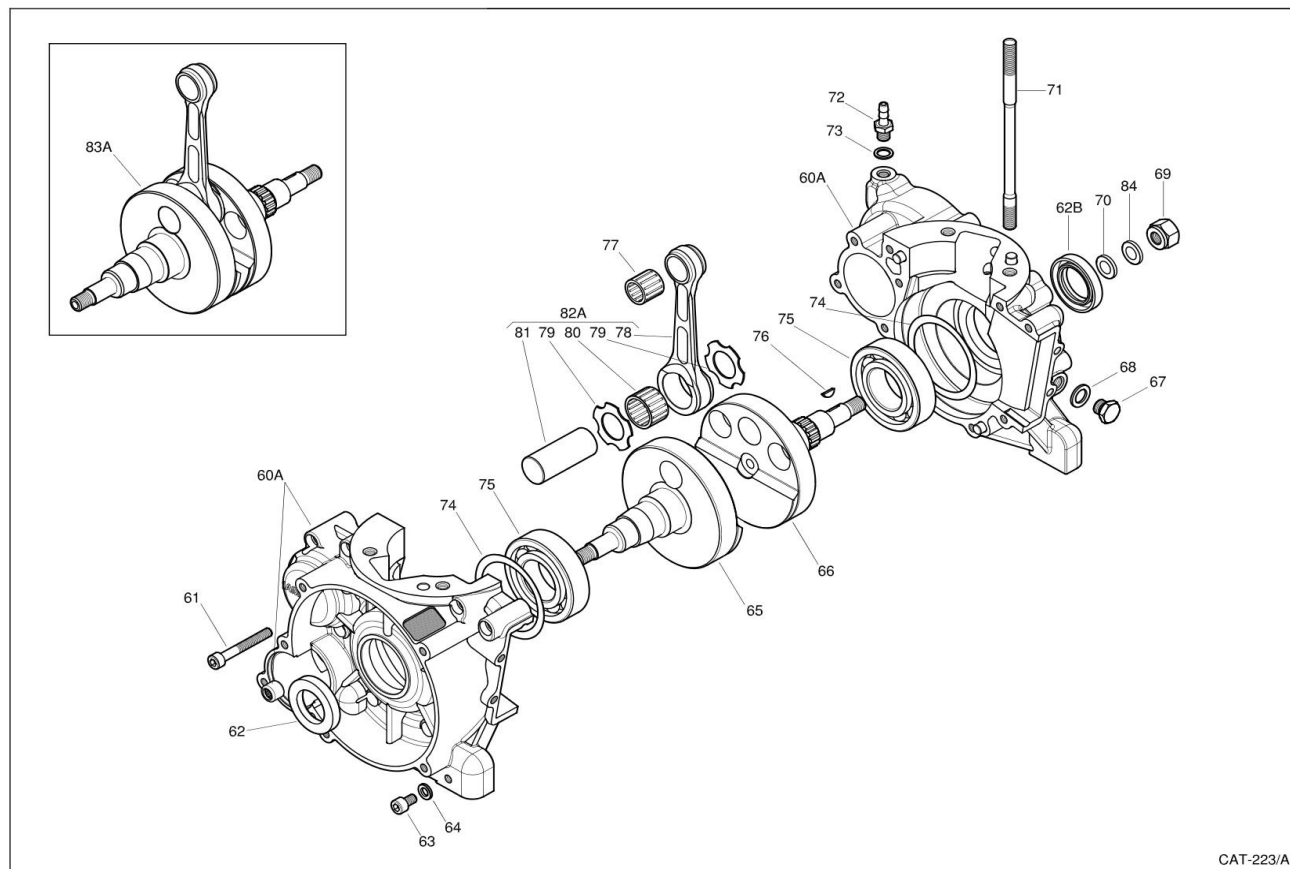
CAT-227

POS	COD	DESCR	PRICE
1	X30125040-C	CYL. HEAD X30	229.68
002	10350	HEAD NUT	3.56
	10352	CYLINDER HEAD NUT W/TECH WIRE HOLE	8.35
003	10635	HEAD NUT WASHER H=3mm	1.81
004	B-25840	TEMP. GAUGE PLUG	4.16
005	B-25845	TEMP. GAUGE PLUG GASKET	2.92
006	B-25830A	WATER PIPE FITTING	10.05
007	B-25835	PIPE GASKET	3.56
008	F-38820	HEAD GASKET OR	14.00
009	B-25825	OR STUD-BOLT	1.81
011	EBP-125045	CYL. GASKET 4/10 SUD-TOP/X30	3.56
011	EBP-125046	CYL. GASKET 2/10 SUD-TOP/X30	3.56
011	EBP-125047	CYL. GASKET 1/10 SUD-TOP/X30	6.64
011	EBP-125048	CYL.GASKET 5/100 SUD-TOP/30	6.64
014	X30125033	COMPLETE CYLINDER X30 '14	729.31
016	D-37049	HEAD GASKET OR 3237	6.84
017	IFA-40500	WATER PIPE FITTING	10.40



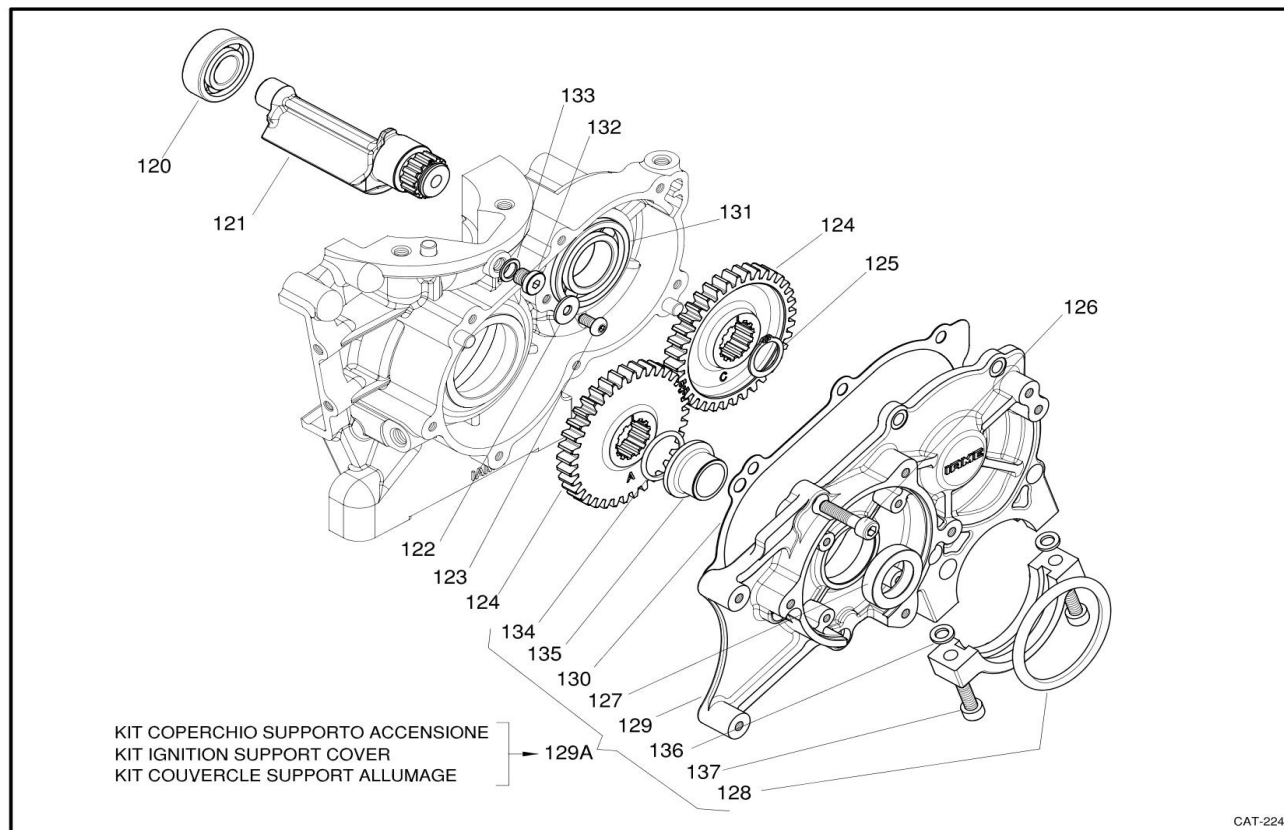
CAT-122

POS	COD	DESCR	PRICE
050	B-30320-B	PISTON PIN 14x44 2^SEL	30.91
050	B-30320-G	PISTON PIN 14x44 3^SEL.	30.91
050	B-30320-R	PISTON PIN 14x44 1^SEL.	30.91
051	10341-A	CIRCLIP W/OUT TAILS	1.88
052A	BP-25051-CR	PISTON, COMPL. PR 54.00r	126.07
052A	BP-25051-CV	PISTON, COMPL. PR 54.00g	126.07
052A	BP-25056-CR	PISTON, COMPL. PR 54.02r	126.07
052A	BP-25056-CV	PISTON, COMPL. PR 54.02g	126.07
052A	BP-25058-CR	PISTON, COMPL. PR 54.05r	126.07
052A	BP-25058-CV	PISTON, COMPL. PR 54.05g	126.07
052A	BP-25061-CR	PISTON, COMPL. PR 54.10r	126.07
052A	BP-25061-CV	PISTON, COMPL. PR 54.10g	126.07
052A	BP-25066-CR	PISTON, COMPL. PR 54.12r	126.07
052A	BP-25066-CV	PISTON, COMPL. PR 54.12g	126.07
052A	BP-25068-CR	PISTON, COMPL. PR 54.15r	126.07
052A	BP-25068-CV	PISTON, COMPL. PR 54.15g	126.07
052A	BP-25071-CR	PISTON, COMPL. PR 54.20r	126.07
052A	BP-25071-CV	PISTON, COMPL. PR 54.20g	126.07
052A	BP-25076-CR	PISTON, COMPL. PR 54.22r	126.07
052A	BP-25076-CV	PISTON, COMPL. PR 54.22g	126.07
052A	BP-25081-CR	PISTON, COMPL. PR 54.25r	126.07
052A	BP-25081-CV	PISTON, COMPL. PR 54.25g	126.07
052A	BP-25086-CR	PISTON, COMPL. PR 54.27r	126.07
052A	BP-25086-CV	PISTON, COMPL. PR 54.27g	126.07
053	BP-25154	RING 54.01	44.92
053	BP-25159	RING 54.05	44.92
053	BP-25164	RING 54.11	44.92
053	BP-25169	RING 54.15	44.92
053	BP-25174	RING 54.21	44.92
053	BP-25184	RING 54.26	44.92



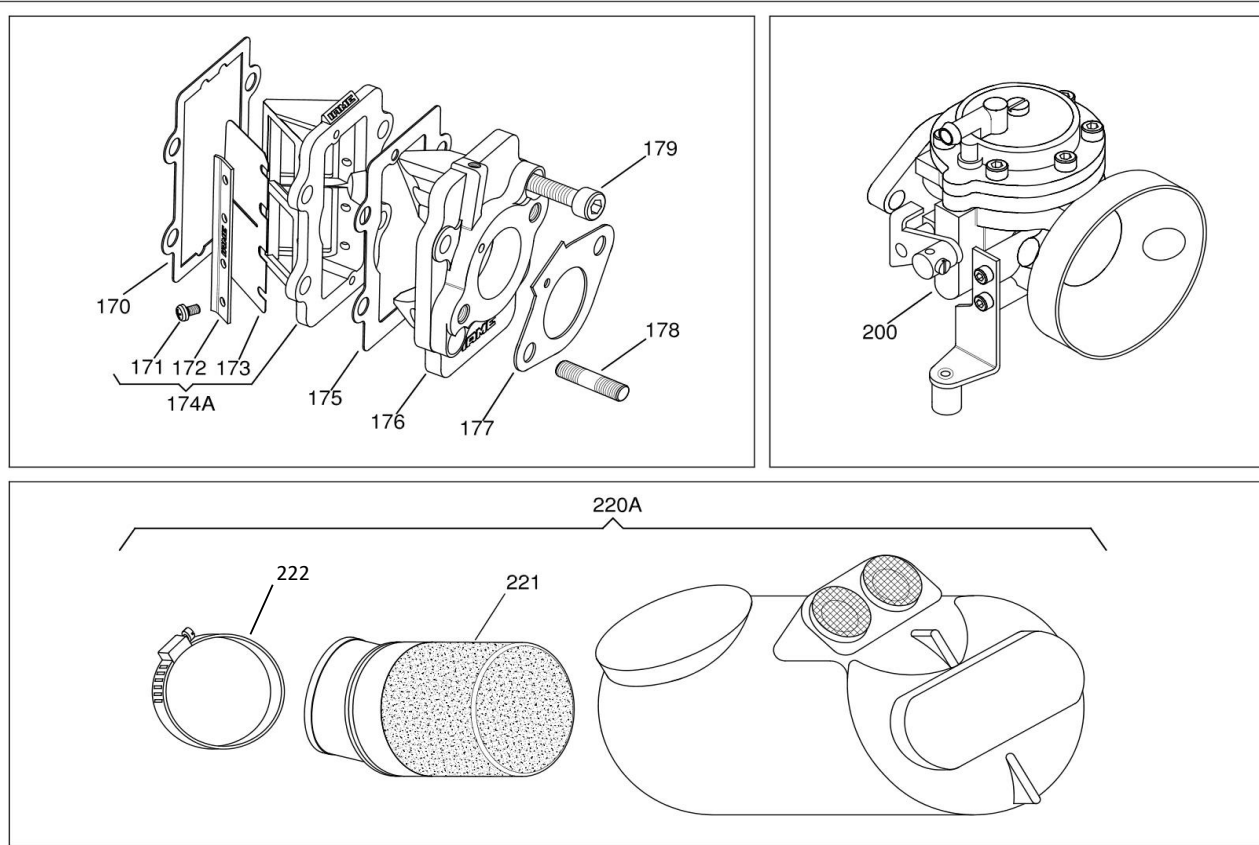
CAT-223/A

POS	COD	DESCR	PRICE
060A	X30125485-C	CRANKCASE W/CAGE X30	816.54
061	00049-K	KIT OF 20 ALLEN SCREWS 6x45	7.18
062	X30125425A	OIL SEAL MAGN./DRIVE SIDE	15.00
063	00059-K	20 FIXING CABLE SCREWS KIT	4.88
064	00302-K	KIT 20 WASHERS M6	1.81
065	X30125385	DR .S. H. CRANKSHAFT X30	345.96
066	X30125390	MAGN. S. H. CRANKSHAFT X30	308.82
067	B-25840	TEMP. GAUGE PLUG	4.16
068	B-25845	TEMP. GAUGE PLUG GASKET	2.92
069	00382	NUT M10x1	2.29
070	00305-K	KIT OF 20 WASHERS M10	7.47
071	B-25347	CYLINDER TIE-ROD 8x153	13.33
072	D-95800	PRESSURE FITTING	5.08
073	B-71805	PRESSURE Cu FITT. GASKET	1.81
074	X30125405	STEEL SHIM 0.10 X30	3.56
074	X30125406	STEEL SHIM 0.15 X30	3.56
075	X30125396A	BALL BEARING SKF 6206 X30	26.52
076	10375	MAGNETO/SPROCKET SHAFT END KEY	2.43
077	E-10440	TOP ROD SUPPORT	34.92
079	X30125436	SILVER BRONZE WASHER	10.40
080	X30125431	BIG END CAGE	67.02
081	X30125450	CRANKPIN 20x48.8	33.84
082A	IFC-50100-C	CONROD 102mm / PIN 48.8 X30	413.16
083A	X30125617	COMPLETE CRANKSHAFT X30	1,113.15
084	00342-K	KIT 20 WASHERS 10,5x18x0,8	6.66



CAT-224

POS	COD	DESCR	PRICE
120	IMB-20100	COUNTER SHAFT SUPPORT	18.90
121	X30125750	BALANCING SHAFT X30	118.04
122	00313-K	KIT 20 WASHERS M5x15	1.60
123	00257-K	20 SCREWS KIT M5x10	4.57
124	X30125755B	BALANCING SHAFT GEAR X30	70.12
125	X30125758	SEEGER SHAFT GEAR	1.81
126	00042-K	KIT 20 SCREWS TCCE 6x16	4.57
127	X30125880	OIL SEAL TC 22x32x7	8.35
128	X30125853	DAMPENER OR	1.81
129	X30125875A	IGNIT. SUPP. COVER X30	221.01
129A	X30125875A-C	X30 IGNITION SUPPORT COVER KIT	254.97
130	X30125878	COVER GASKET X30	9.24
131	X30125746A	6005 BALL BEARING	25.05
132	X30125490	PRESSURE PLUG	5.08
133	B-71805	PRESSURE Cu FITT. GASKET	1.81
134	X30125762	GASKET OR X30	3.56
135	X30125760	GEAR SPACER X30	27.72
136	00302-K	KIT 20 WASHERS M6	1.81
137	00045-K	20 SOCKET H. SCREWS M6X25 KIT	4.57

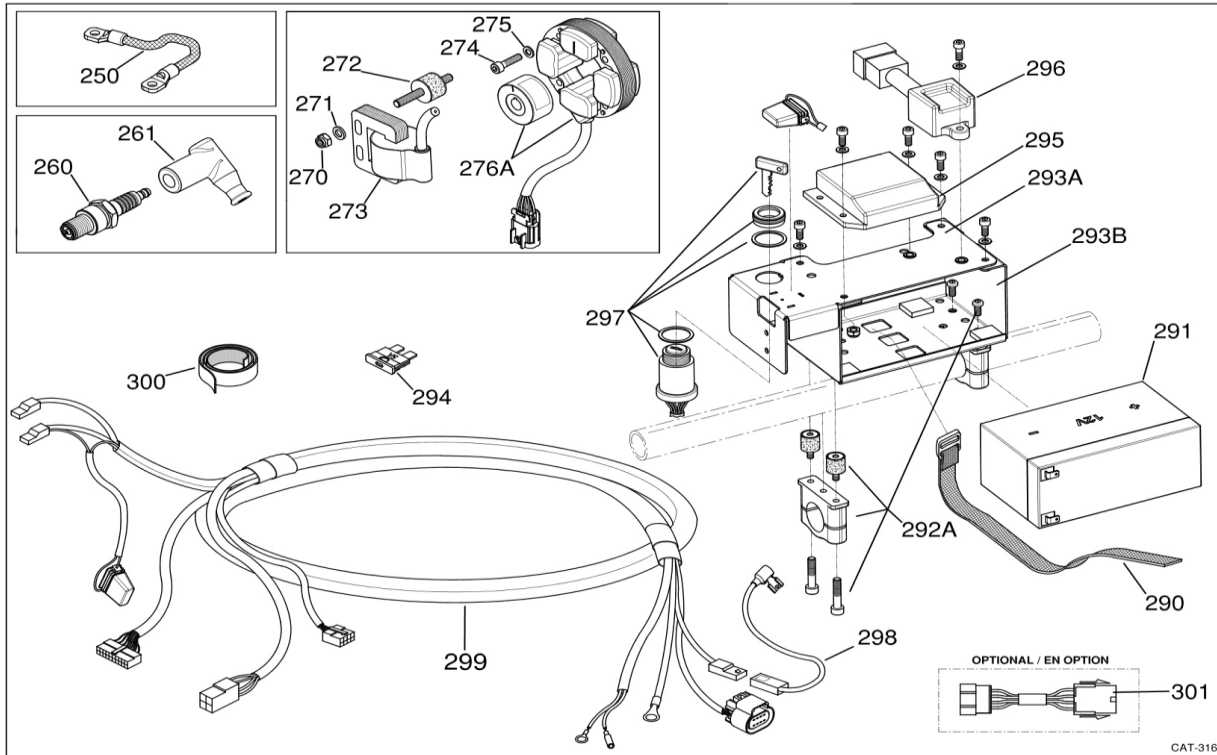


CAT-232/A

POS	COD	DESCR	PRICE
170	X30125810	REED BLOCK GASKET X30	5.08
171	10380	REEDS SCREW	1.81
172	F-11845A	REED CLIPS	3.56
173	F-11840-C	KIT 2 CARBON FIBER REED PETALS 0.24/0.25	40.02
173	X3011840	FIBERGLASS REED PETALS X30	17.09
174A	X3011830-RC	REEDS BLOCK X30	94.38
175	X30125809	TOP CONVEYOR GASKET	5.08
176	X30125816	CONVEYOR mm.28	74.03
177	X30125360	CARBURETOR GASKET	3.56
178	F-40525	STUDBOLT M6x30	5.08
179	00045-K	20 SOCKET H. SCREWS M6X25 KIT	4.57
200	HW27A	CARBURETOR TILLOTSON	289.95
220A	10743-C1	COMPLETE INTAKE SILENCER	100.83
221	10751-A	RUBBER HOSE WITH FOAM FILTER	43.96
222	10755	AIRBOX CLAMP	6.20

# ELECTRONIC IGNITION (2013 TO PRESENT)

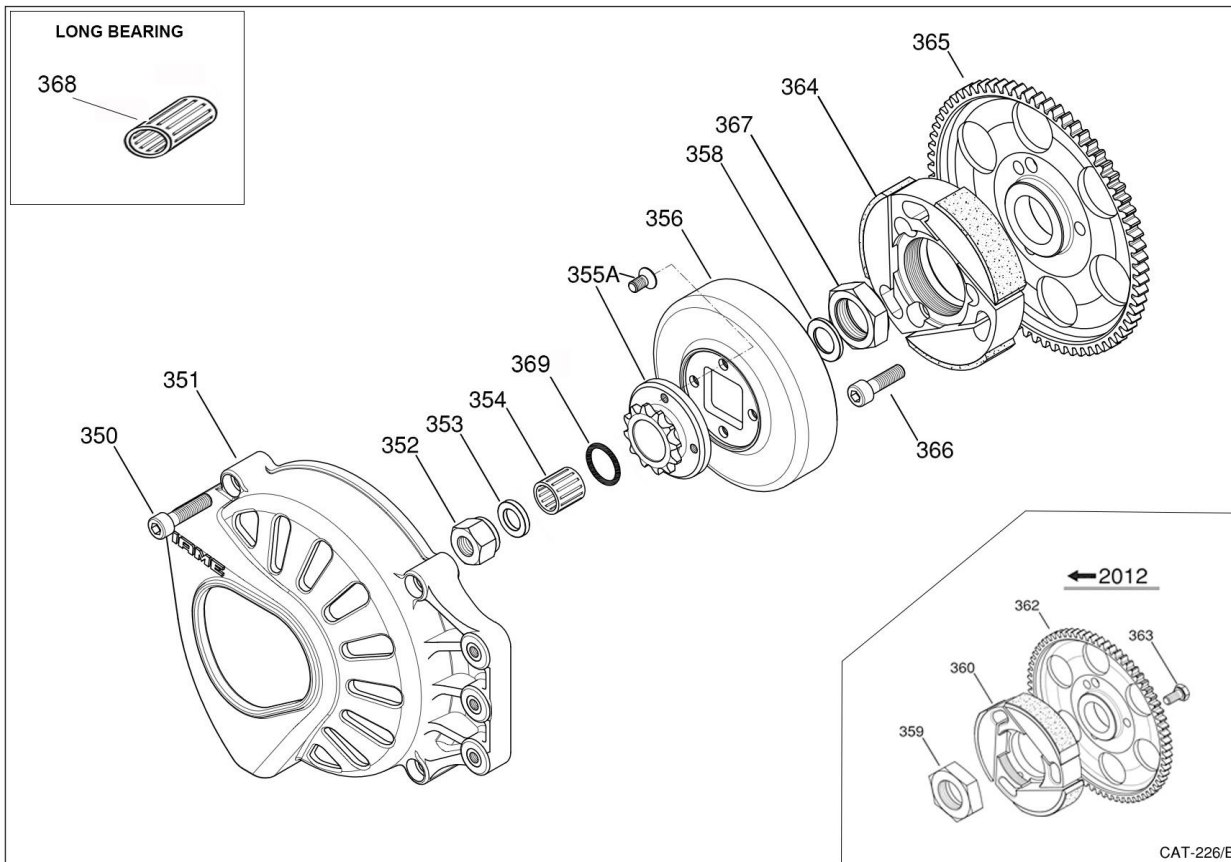
X30



CAT-316

POS	COD	DESCR	PRICE
250	B-35805-A	COIL GROUND CABLE	8.30
260	10561	SPARK PLUG NGK BR9EG	12.95
260	10561-A	SPARK PLUG NGK BR10EG	12.95
260	10561R6254E-105	NGK R6254E-105 Non-Resistor Plug	10.95
260	10561NGK6252	NGK R6252K-105 RESIST SPARK PLUG	10.95
260	10561-B	NGK BR9EIX SPARK PLUG	12.95
260	10561-C	NGK BR10EIX SPARK PLUG	12.95
261	10544	PVL SPARK CAP	20.45
270	00378-K	20 SELF LOCKING NUTS KIT M6	4.57
271	00302-K	KIT 20 WASHERS M6	1.81
272	B-35810-A	COIL DAMPENER	9.24
273	X30125955	SELETTTRA COIL K	57.05
274	00034-K	KIT OF 20 ALLEN SCREWS 5x25	4.57
275	00301-K	KIT 20 WASHERS M5	1.81
276A	X30125952	SELETTTRA IGNITION X30 '13	200.55
290	A-60904A	BATTERY FIXING BELT	17.09
291	X30125900	AMSTRON BATTERY	54.00
292A	A-60906A/1	SUP. BAT. CLAMP BOTTOM ONLY 28MM	14.25
292A	A-60907A/1	SUP. BAT. CLAMP BOTTOM ONLY 30MM	14.25
292A	A-60906A-C1	SUP.BAT.CLAMP 28mm W/SCREWS'13	33.23
292A	A-60907A-C	SUPP.BATT.CLAMP 30mm W/SCREWS W/O RUBBERS	29.20
292A	A-60907A-C1	SUP.BAT.CLAMP 30mm W/SCREWS'13	33.23
292A	A-60908A-C1	SUP.BAT.CLAMP 32mm W/SCREWS'13	33.23
293A	A-120907-C	BATTERY SUPPORT PLATE '13	57.05
293B	A-120905B	BATTERY SUPPORT '13	48.95
294	X30125942	FUSIBLE 5A X30	3.56
295	X30125930C	MINI POWER UNIT TYPE C	245.55
296	IFE-05200	STARTER RELAY n.t.	119.24
297	X30125936-C	STARTER KEYS ASSEMBLY	73.08
297B	X30125940-K	X30 OPTIONAL START BUTTON	101.53
298	A-60934A	STARTER CABLE	18.84
299	X30125935D-C	CABLES HARNESS '13	144.26
301	X30125939	CABLES HARNESS '13 ADAPTER (PURPLE MALE)	37.89
301	X30125939A	STATOR ADAPTER '13 (PURPLE FEMALE)	37.89

\*Electronic ignition 2012 and earlier can be found at <http://iameusaeast.com> under tech docs on the IAME East website.

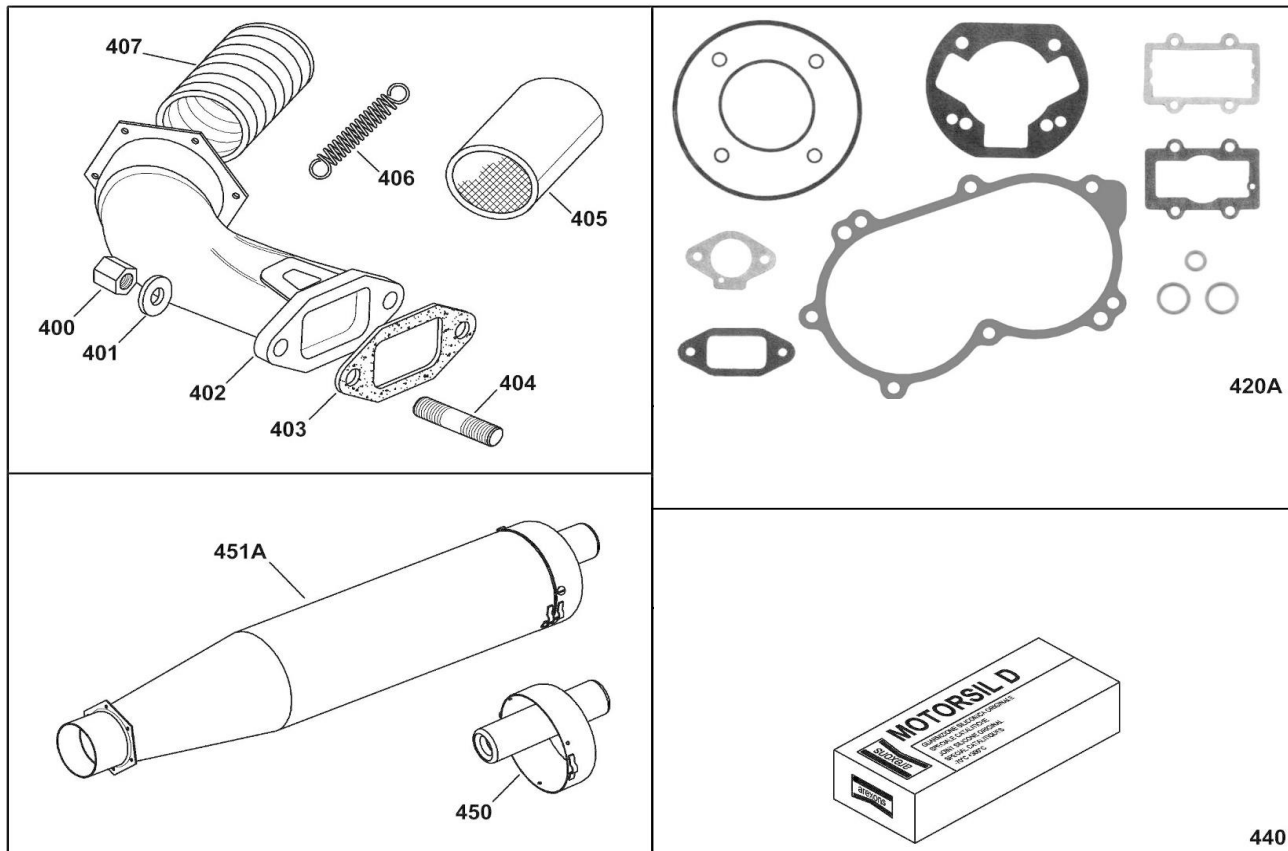


POS	COD	DESCR	PRICE
350	00045-K	20 SOCKET H. SCREWS M6X25 KIT	4.57
351	X30125595	CLUTCH GUARD X30	54.05
352	D-75570	STARTER NUT TaG	7.13
353	D-75573	EXTERNAL WASHER	3.56
354	B-55598	CLUTCH ROLLER CAGE TaG(REQUIRES A-60565)	13.33
355A	X30125554-C	SPROCKET Z10 W/SCREWS	68.08
355A	X30125555-C	SPROCKET Z11 W/SCREWS	68.08
355A	X30125556-C	SPROCKET Z12 W/SCREWS	68.08
355A	X30125557-C	SPROCKET Z13 W/SCREWS	68.08
356	X30125550A	CLUTCH DRUM X30 NO HOLES	76.08
358	D-75565	THRUST INT.WASHER H=1,8mm	5.08
359	X30125560	WHEEL LOCKING NUT	17.72
362	X30125830	STARTER WHEEL Z70 X30	116.04
363	00161-K	KIT OF 20 HEX. SCREWS 6x12	7.47
364	X30125841	PADDED HUB X30 '13	180.02
365	X30125831	STARTER WHEEL Z70 X30 '13	116.04
366	00042-K	KIT 20 SCREWS TCCE 6x16	4.57
367	IFF-21300	WHEEL LOCKING NUT	17.72
368	D-75598	CLUTCH ROLLER CAGE JUN-CIK	19.18
369	A-60565	CLUTCH DRUM O RING	2.20



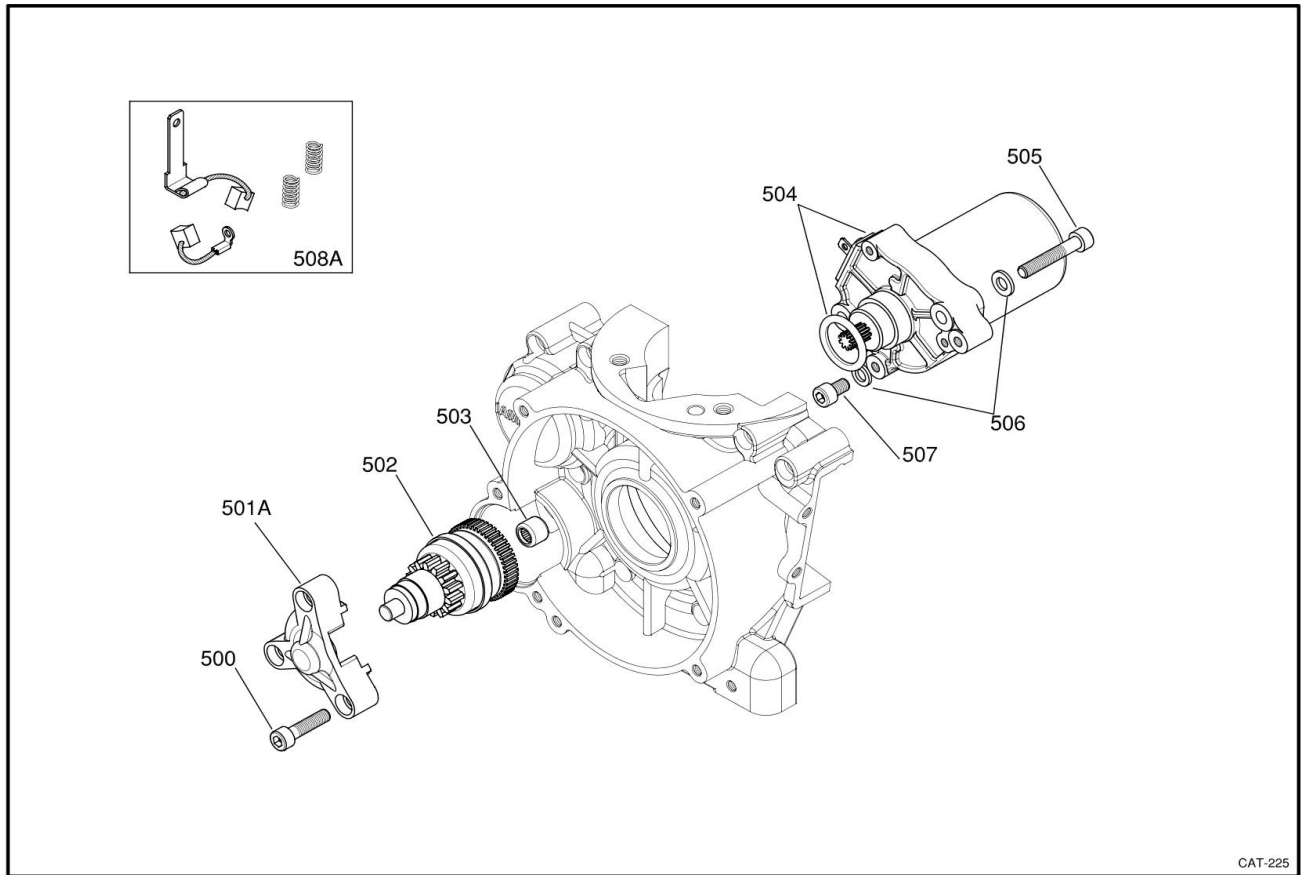
# EXHAUST GROUP & GASKETS SET

X30



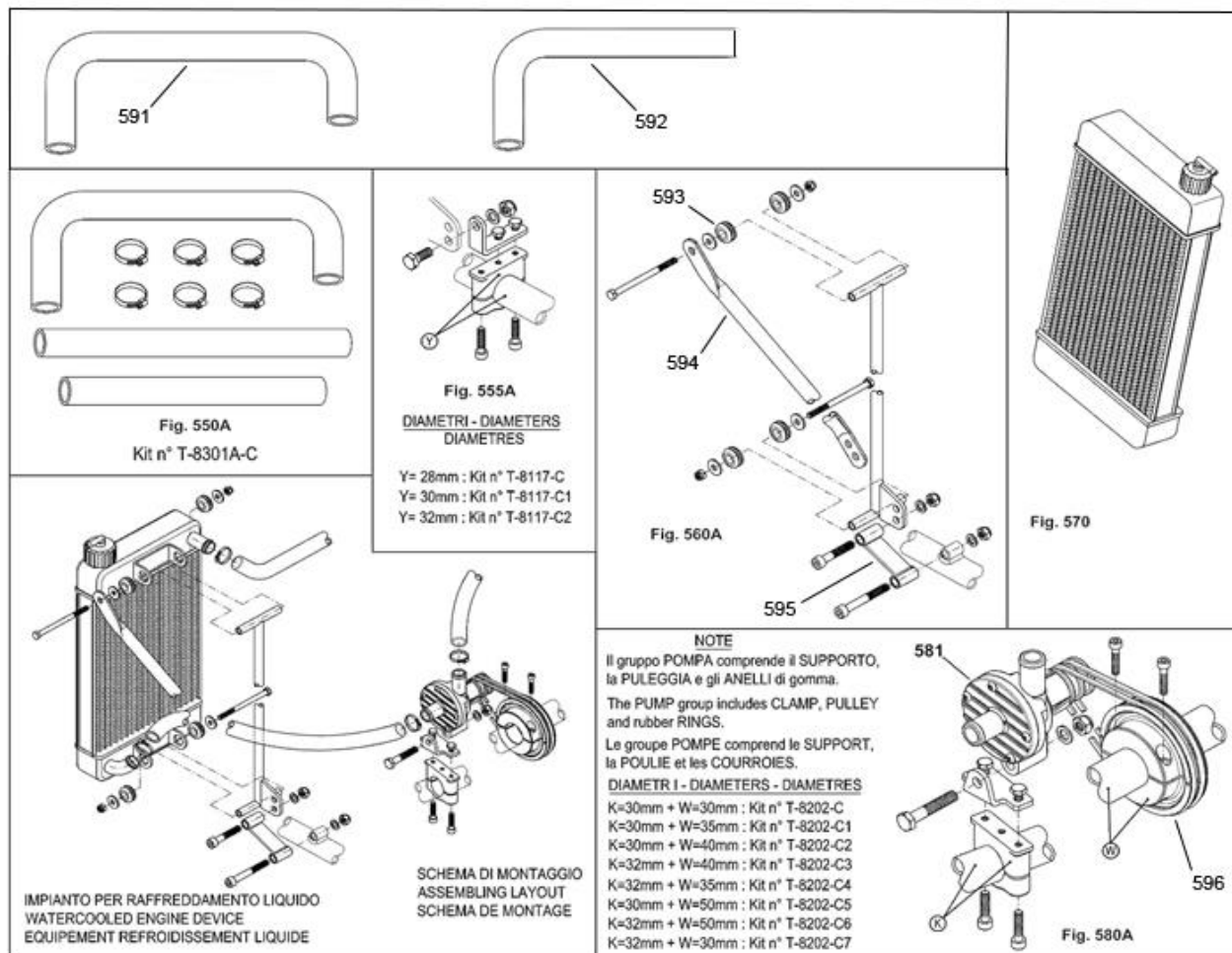
CAT-231

POS	COD	DESCR	PRICE
400	B-71662	8mm EXHAUST NUT	3.56
401	00332-K	KIT OF 20 ELAST. WASHERS M8	1.81
402	X30125365	EXHAUST PIPE X30	107.07
402	X30125368A	EXH. PIPE X30-JUNIOR W/REST. 26mm (MOST SERIES)	126.07
402	X30125366	EXH. PIPE X30-JUNIOR W/REST. 29mm	126.07
402	X30125367	EXH. PIPE X30-JUNIOR W/REST. 31mm	126.07
403	B-75360	EXHAUST GASKET	8.35
404	B-75355	EXHAUST STUDBOLT 8x36	8.35
405	A-60736	SILICONE SHEATH	23.34
406	10784	FLEXIBLE SPRING L=65	7.49
407	10711-B	FLEXIBLE L=13 cm.	10.46
420A	X30125990B	GASKETS SET X30 USA	38.23
440	00602	LIQUID GASKET AREXON	43.59
450	X30125721	SILENCER END X30	68.08
451A	X30125718	SILENCER X30	170.06



CAT-225

POS	COD	DESCR	PRICE
500	00045-K	20 SOCKET H. SCREWS M6X25 KIT	4.57
501	A-60870-C	BENDIX SUPPORT KIT	24.07
502	A-120856	BENDIX	122.91
503	A-60865	ROLLER CAGE TaG	11.28
504	A-120850	STARTER TaG	241.83
505	00047-K	KIT OF 20 ALLEN SCREWS 6x35	7.18
506	00302-K	KIT 20 WASHERS M6	1.81
507	00059-K	20 FIXING CABLE SCREWS KIT	4.88
508A	A-60852A-C	STARTER BRUSHES KIT	30.91

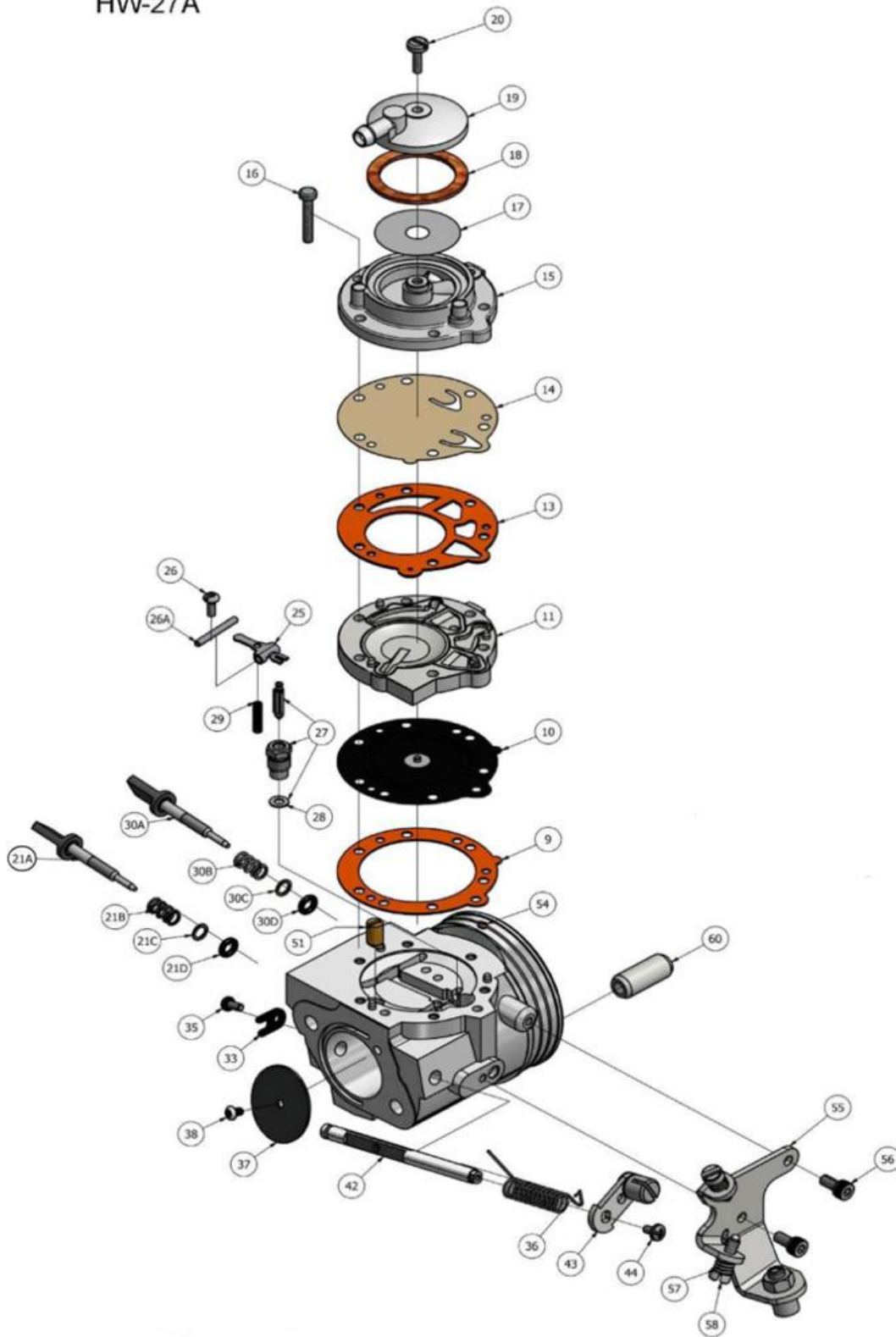


CAT-244

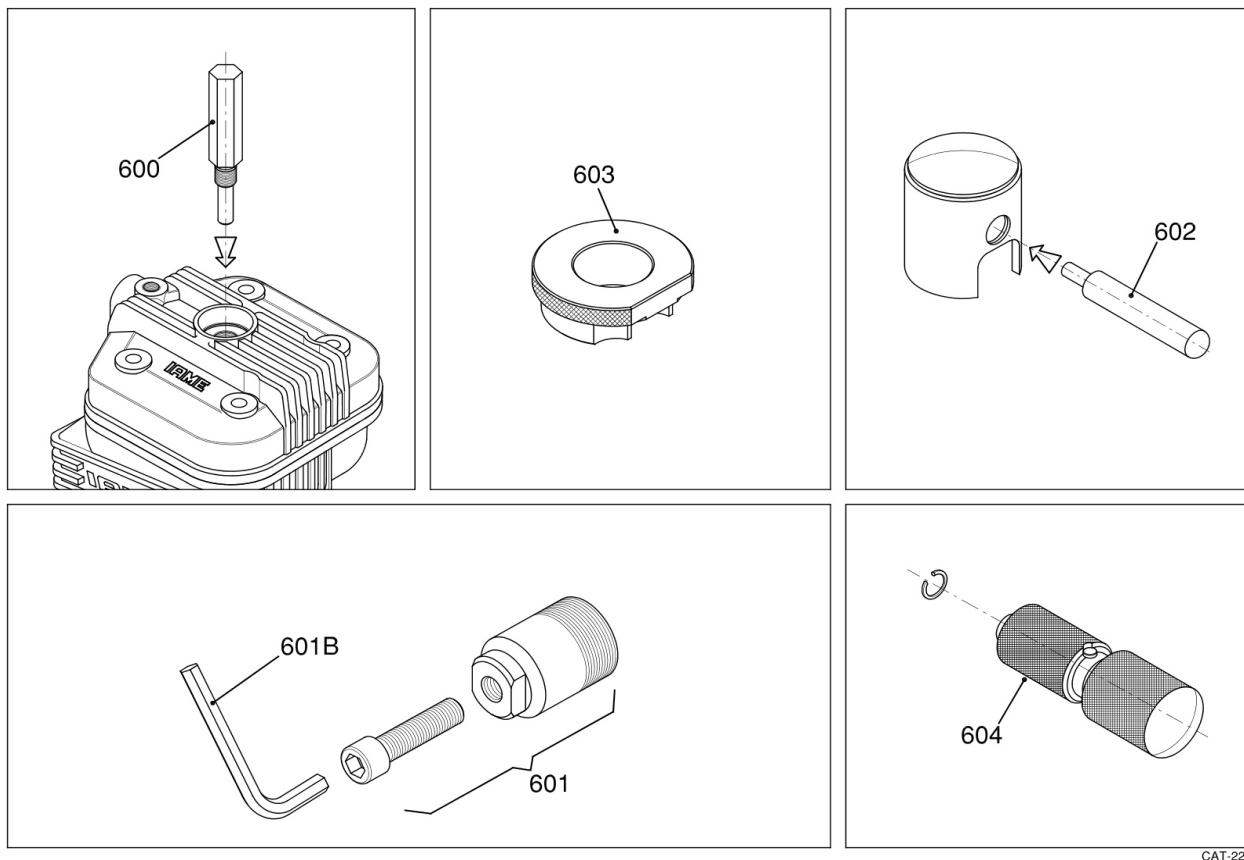
POS	COD	DESCR	PRICE
550A	T-8301B-C	HOSES COMPLETE KIT n.t.	60.08
555A	T-8117-C	RADIATOR CLAMP KIT mm 28	23.34
555A	T-8117-C1	RADIATOR CLAMP KIT mm 30	23.34
555A	T-8117-C2	RADIATOR CLAMP KIT mm 32	23.34
560A	T-8133-C	RADIATOR SUPPORT KIT	96.08
560A	T-8135-C	410mm RADIATOR SUPPORT KIT	96.08
570	T-8000A	RADIATOR (THIN)	186.93
570	T-8000B	RADIATOR L=410mm (STOCK SIZE)	286.47
580A	T-8202-C	PUMP GROUP mm 30/30	146.06
580A	T-8202-C1	PUMP GROUP mm 30/35	146.06
580A	T-8202-C2	PUMP GROUP mm 30/40	146.06
580A	T-8202-C3	PUMP GROUP mm 32/40	146.06
580A	T-8202-C4	PUMP GROUP mm 32/35	146.06
580A	T-8202-C5	PUMP GROUP mm 30/50	146.06
580A	T-8202-C6	PUMP GROUP mm 32/50	146.06
580A	T-8202-C7	PUMP GROUP mm 32/30	146.06
581	T-8203	ALUMINUM WATER PUMP	68.91
590A	T-8400-C	THERMOSTAT 50AA° COMPL.	133.08
591	T-8311-A	RADIATOR WATER PIPE "U"	32.35
592	T-8310B	RADIATOR HOSE "L"	27.99
593	A-120864	RUBBER BUSHING	1.90
594	T-8140	RADIATOR BRACKET UPRIGHT	32.80
595	T-8150	RADIATOR BRACKET LOWER	25.20
596	T-8212-D	50mm WATER PUMP PULLEY ONLY	28.84

# HW-27A Spare Parts Prices

HW-27A

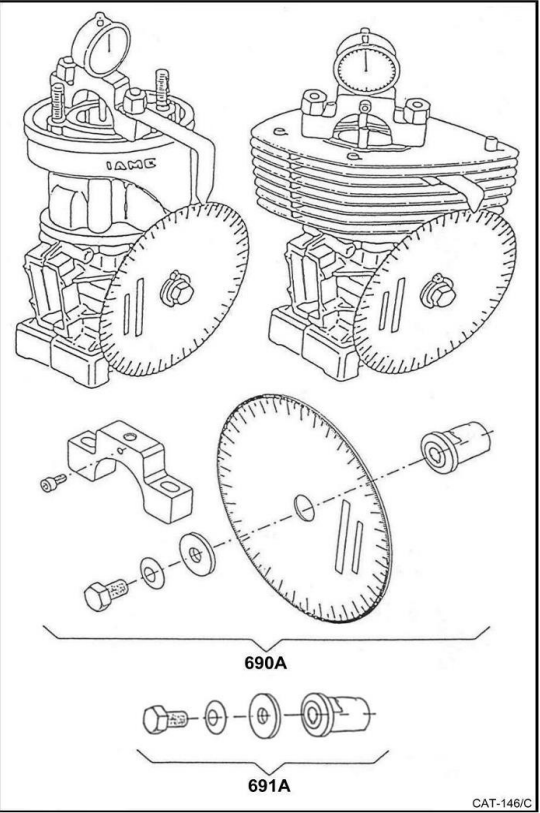
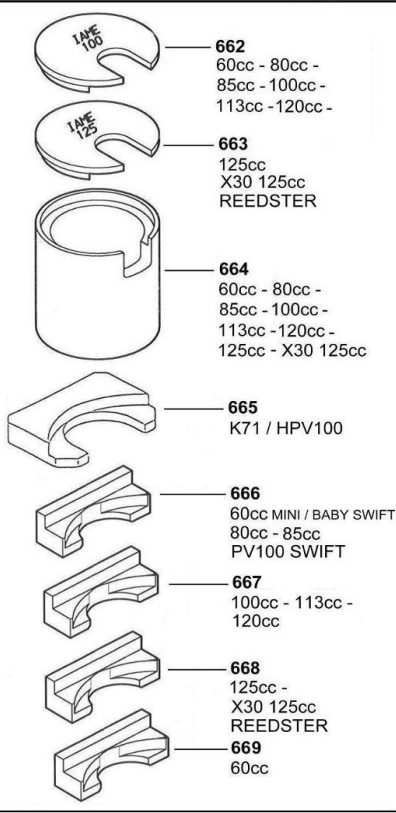
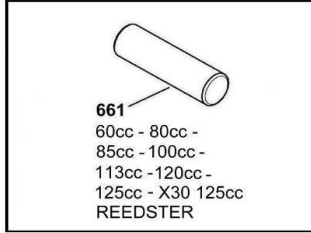
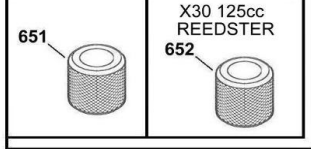
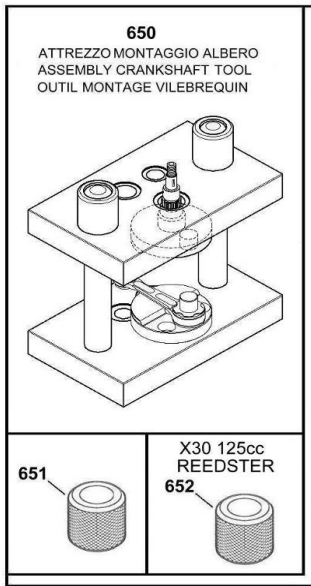


ITEM	PART NO:	DESCRIPTION	Retail Price \$
9	+ * 16-B406	DIAPHRAGM GASKET (ORANGE)	0.80
10	+ * 237-600	DIAPHRAGM	4.91
11	91A-275	DIAPHRAGM COVER	7.07
13	+ * 16-B407	FUEL PUMP GASKET (ORANGE)	2.47
14	+ * 237-162	FUEL PUMP DIAPHRAGM	4.67
15	141-89	FUEL PUMP BODY	9.67
16	15C-51	FUEL PUMP BODY SCREW	0.91
17	95 - 170	FUEL STRAINER SCREEN	0.92
18	+ * 16-B205	FUEL STRAINER COVER GASKET	0.66
19	91-A251	FUEL STRAINER COVER	3.04
20	15-B313	FUEL STRAINER COVER RETAINING SCREW	0.71
21A	43-1029	IDLE MIXTURE SCREW	10.16
21B	24-B449	IDLE MIXTURE SCREW SPRING	0.59
21C	78A-256	IDLE MIXTURE SCREW WASHER	0.76
21D	44-361	IDLE MIXTURE SCREW PACKING	1.04
25	* 155A-27	INLET CONTROL LEVER	0.80
26	15-B329	FULCRUM LEVER SCREW	0.69
26A	32-79	FULCRUM LEVER PIN	0.59
27	* 233-721P	INLET NEEDLE & SEAT SET	15.45
28	16-B199	INLET SEAT GASKET	0.53
29	24-B299	INLET TENSION SPRING	1.58
30A	43-1030	HIGH SPEED MIXTURE SCREW	10.16
30B	24B-449	HIGH SPEED MIXTURE SCREW SPRING	0.59
30C	78A256	HIGH SPEED MIXTURE SCREW WASHER	0.76
30D	44-361	HIGH SPEED MIXTURE SCREW PACKING	1.04
33	29-224	THROTTLE SHAFT CLIP	0.98
35	15-C19	THROTTLE SHAFT CLIP RETAINING SCREW	0.87
36	24-B381	THROTTLE RETURN SPRING	0.91
37	14-A114	THROTTLE SHUTTER	19.11
38	15-C20	THROTTLE SHUTTER SCREW	0.87
42	13-B216	THROTTLE SHAFT	15.50
43	12-1220	THROTTLE LEVER ASSEMBLY	17.20
44	15-C52	THROTTLE LEVER RETAINING SCREW	0.84
51	363-318	IDLE NOZZLE	10.63
54	80-160	MAIN PLUG	0.99
55	136-562	CABLE BRAKET	20.18
56	15-C67	CABLE BRACKET RETAINING SCREW	0.87
57	15-C9	LIMITER SCREW	2.21
58	24-B131	LIMITER SPRING	0.46
60	81-377	CARBURETTOR MOUNTING NUT	3.00
62	24-C-334	CABLE RETURN SPRING	3.85
	HW-27A	Carburettor	289.95
	RK-6HW	REPAIR KIT	32.95
	DG-3HW	DIAPHRAGM & GASKET (STANDARD)	14.95
* INDICATES CONTENTS OF REPAIR KIT			
* + INDICATES CONTENTS OF DIAPHRAGM & GASKET SET			



CAT-229

POS	COD	DESCR	PRICE
600	10271	PISTON STROKE LOCKER	38.12
601	10272-C	CLUTCH HUB PULLER	52.05
601	ATT-026	CLUTCH HUB PULLER 2009	51.05
601/B	10159	CLUTCH PULLER WRENCH 12mm	23.00
602	10200	PISTON PIN PUNCH 125cc	25.05
603	S884	STARTER DRIVE WHEEL HOLD. TOOL	48.09
604	10120	CIRCLIP ASSEMBLING TOOL	174.02



CAT-146/C

POS	COD	DESCR	PRICE
650	10110A	CRANKSHAFT ASSY TOOL	1,956.82
652	10150A	CRANK-PIN BUSH mm20	73.15
661	10107	CRANK-PIN PUSHER	11.66
663	10104A	CRANKSHAFT PLATE 125cc	100.61
664	10100	CRANKSH. DISASSY SUPPORT	167.09
668	10106	CRANKSHAFT INSERT 125cc-SUP	54.29
690A	10820A	TIMING GROUP TaG/REEDSTER	130.03
691A	10828-C	TAG COMPL.TIMING GROUP M10	53.38