

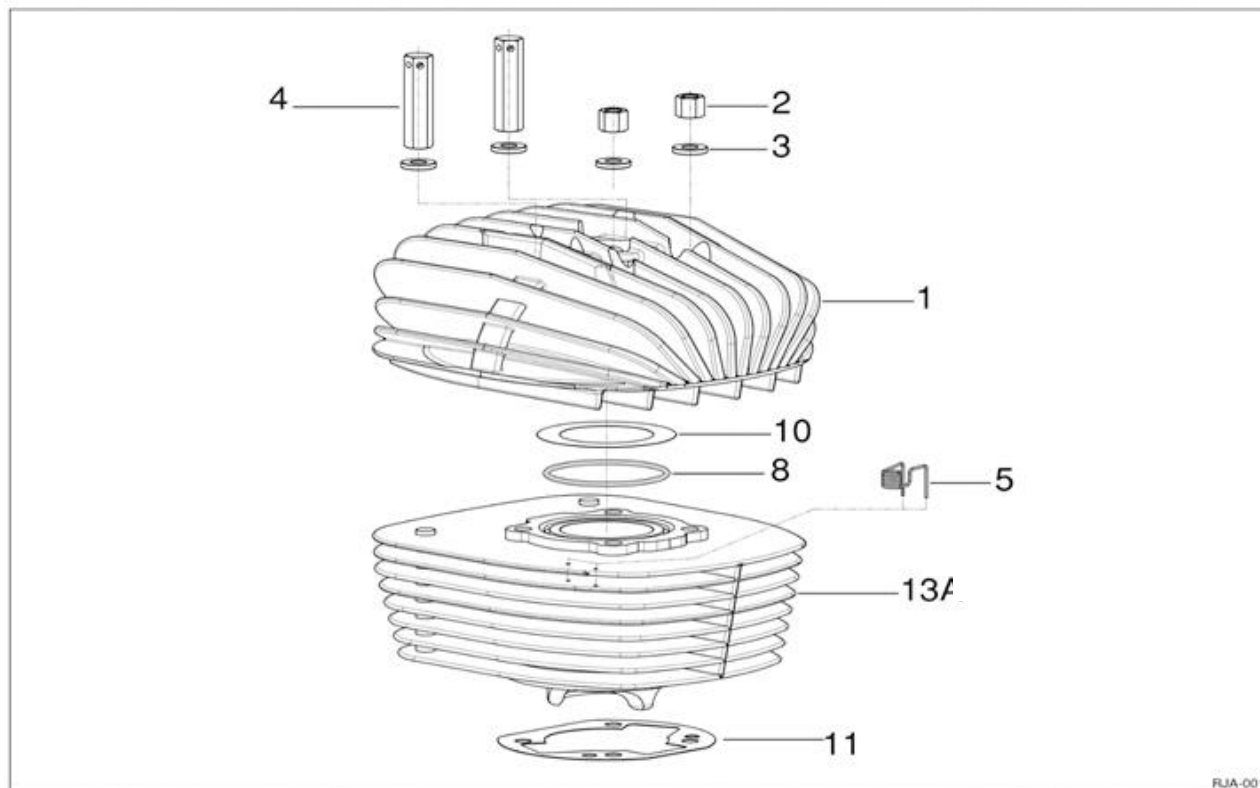
IAME

The heart of kart

IAME KA100 REEDJET 100cc USA

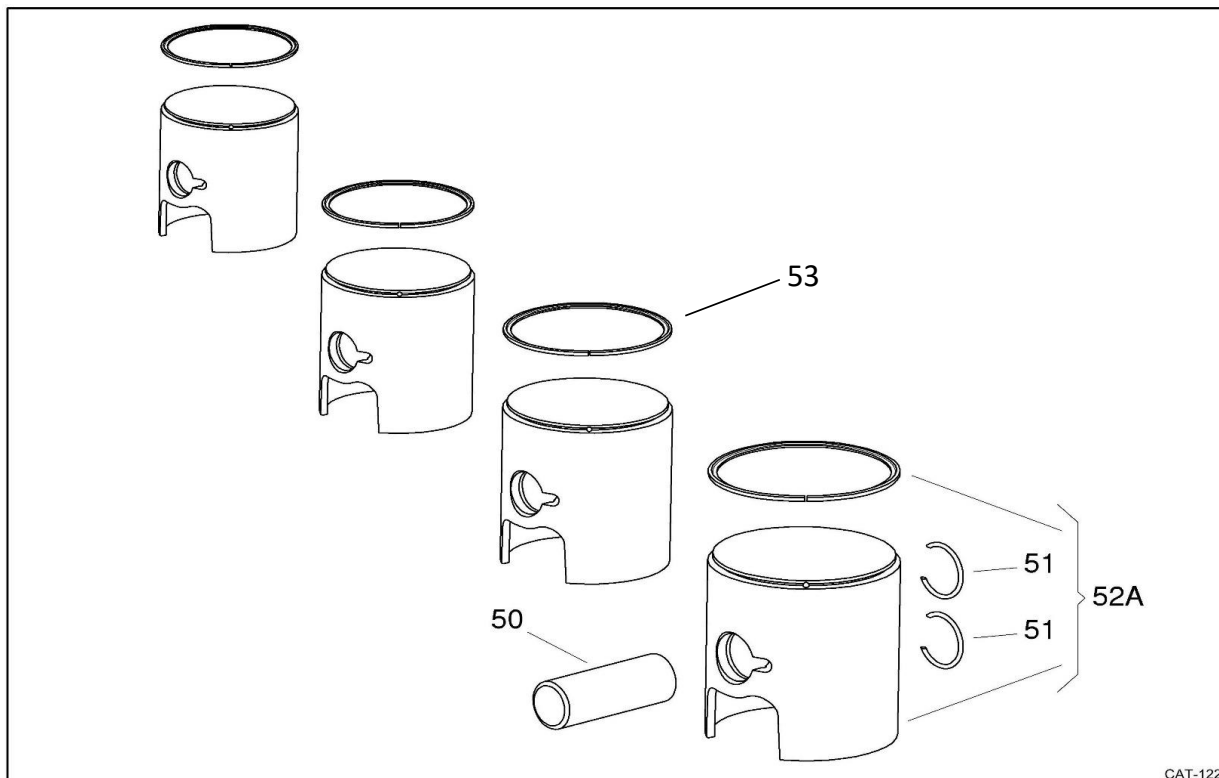


2019 CATALOG



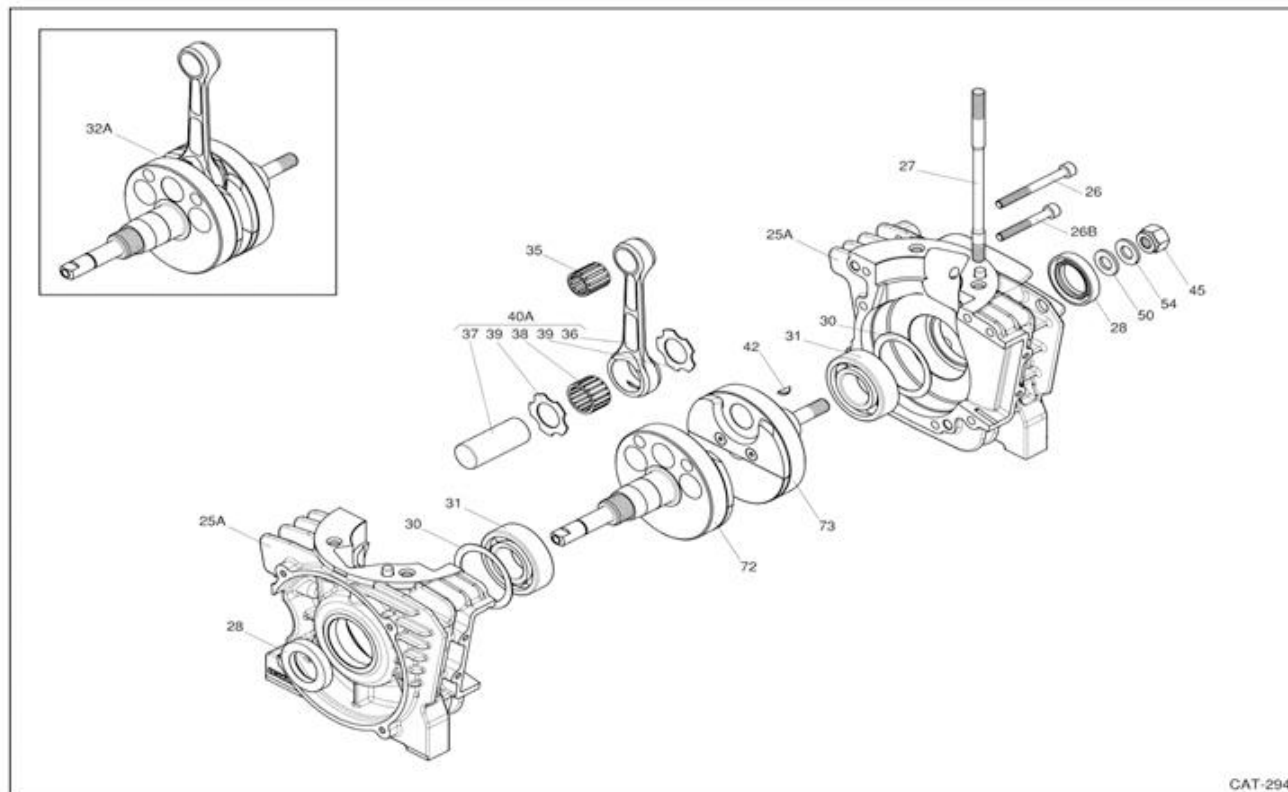
FUJA-001

POS	COD	DESCR	PRICE
1	IAA-40100US	CYLINDER HEAD REEDJET USA	285.81
2	10350	HEAD NUT	3.56
3	10635	HEAD NUT WASHER H=3mm	1.81
4	10351	BLACK HEAD NUT	15.86
5	10785	FLEXIBLE SPRING	6.88
8	D-37049	HEAD GASKET OR 3237	6.84
10	IAA-40200-0.05	COPPER HEAD GASKET 0.05	3.03
10	IAA-40200-0.10	COPPER HEAD GASKET 0.10	3.03
10	IAA-40200-0.15	COPPER HEAD GASKET 0.15	3.03
11	EBP-125045	CYL. GASKET 4MM SUD-TOP/X30	3.56
11	EBP-125046	CYL. GASKET 2MM SUD-TOP/X30	3.56
11	EBP-125047	CYL. GASKET 1MM SUD-TOP/X30	6.64
11	EBP-125048	CYL. GASKET .05MM SUD-TOP/X30	6.64
13A	IAA-01000US	CYLINDER REEDJET USA	641.20



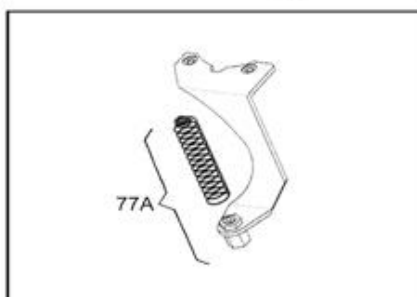
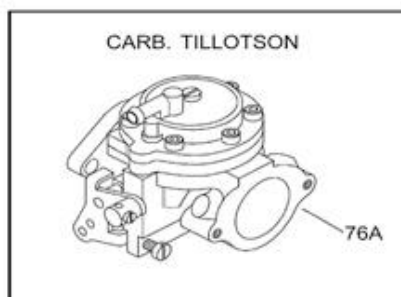
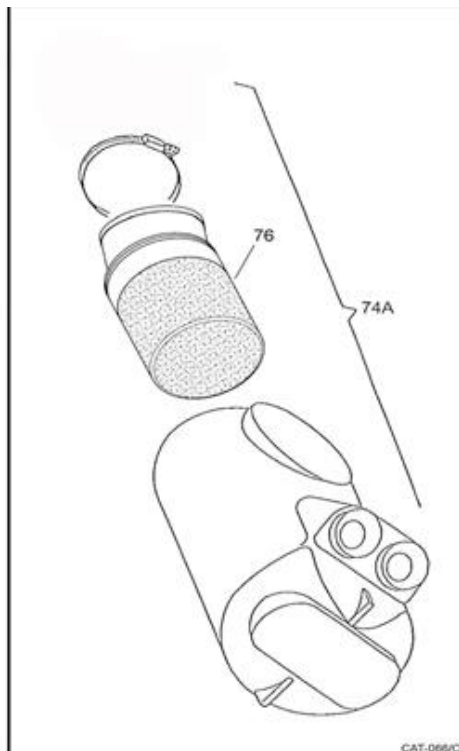
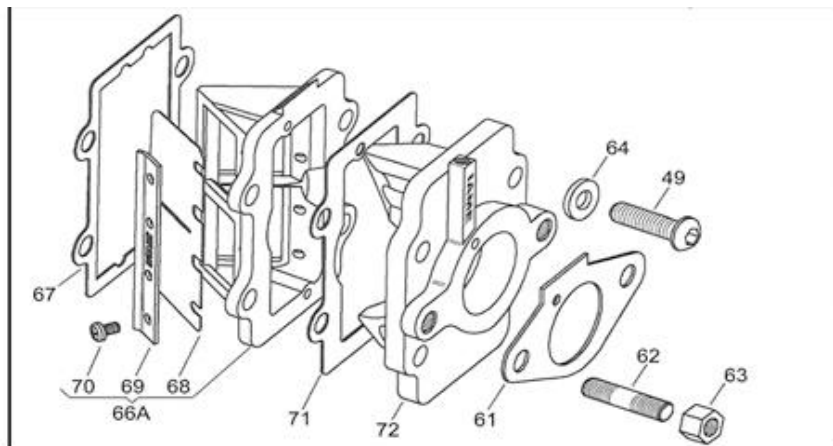
CAT-122

POS	COD	DESCR	PRICE
50	B-10321-R	PISTON PIN 14x39 1^SEL	32.16
51	10341-A	CIRCLIP W/OUT TAILS	1.88
52A	EBP-85050-CV	PISTON PUMA-85 48.20G	120.65
52A	EBP-85050-CR	PISTON PUMA-85 48.20R	120.65
52A	EBP-85055-CV	PISTON PUMA-85 48.22G	120.65
52A	EBP-85055-CR	PISTON PUMA-85 48.22R	120.65
52A	EBP-85057-CV	PISTON PUMA-85 48.24G	120.65
52A	EBP-85057-CR	PISTON PUMA-85 48.24R	120.65
52A	EBP-85060-CV	PISTON PUMA-85 48.26G	120.65
52A	EBP-85060-CR	PISTON PUMA-85 48.26R	120.65
52A	EBP-85063-CV	PISTON PUMA-85 48.28G	120.65
52A	EBP-85063-CR	PISTON PUMA-85 48.28R	120.65
52A	EBP-85065-CV	PISTON PUMA-85 48.30G	120.65
52A	EBP-85065-CR	PISTON PUMA-85 48.30R	120.65
52A	EBP-85070-CV	PISTON PUMA-85 48.32G	120.65
52A	EBP-85070-CR	PISTON PUMA-85 48.32R	120.65
52A	EBP-85072-CV	PISTON PUMA-85 48.34G	120.65
52A	EBP-85072-CR	PISTON PUMA-85 48.34R	120.65
52A	EBP-85075-CV	PISTON PUMA-85 48.36G	120.65
52A	EBP-85075-CR	PISTON PUMA-85 48.36R	120.65
52A	EBP-85080-CV	PISTON PUMA-85 48.40G	120.65
52A	EBP-85080-CR	PISTON PUMA-85 48.40R	120.65
52A	EBP-85085-CV	PISTON PUMA-85 48.42G	120.65
52A	EBP-85085-CR	PISTON PUMA-85 48.42R	120.65
52A	EBP-85087-CV	PISTON PUMA-85 48.44G	120.65
52A	EBP-85087-CR	PISTON PUMA-85 48.44R	120.65
52A	EBP-85095-CV	PISTON PUMA-85 48.50G	120.65
52A	EBP-85100-CV	PISTON PUMA-85 48.52G	120.65
053	B-65175	RING 48.20	44.92
053	B-65178	RING 48.26	44.92
053	B-65180	RING 48.30	44.92
053	B-65183	RING 48.36	44.92
053	B-65185	RING 48.40	44.92
053	B-65190	RING 48.50	44.92



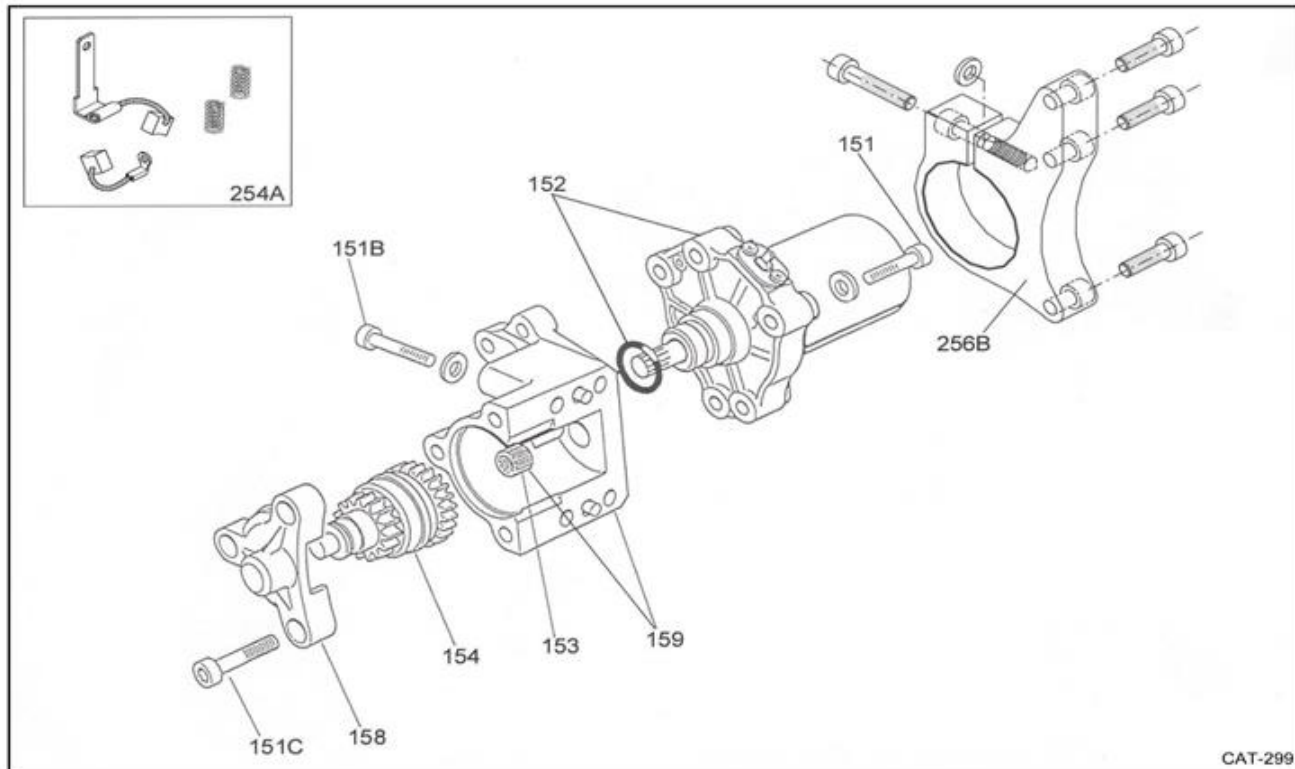
CAT-294

POS	COD	DESCR	PRICE
25A	IAB-01041US	CRANKCASE REEDJET 100cc USA	709.56
26	00051-K	KIT OF 20 ALLEN SCREWS 6x55	10.00
26B	00049-K	KIT OF 20 ALLEN SCREWS 6x45	7.18
27	E-38345	CYLINDER TIE-ROD 8X157	13.91
28	X30125425A	OIL SEAL MAGN./DRIVE SIDE	15.00
30	30404	STEEL SHIM 0.15	3.56
30	30407	STEEL SHIM 0.10	3.56
31	35396-F	BALL BEARING SKF 6205 TN9/C4	27.72
32A	IAC-00100	CRANKSHAFT REEDJET AUS	814.34
35	E-10440	SMALL END ROLLER CAGE	34.92
36	IFC-50100	X30 CONROD 102mm	308.72
37	IAC-40140	CRANKPIN DRAGON 20X47mm	33.74
38	X30125431	BIG END CAGE	67.02
39	X30125436	SILVER BRONZE WASHER	10.42
40A	IFC-50100-47	CONROD 102-pin47SUD-09/R-AUS	413.16
42	10375	MAGNETO/SPROCKET SHAFT END KEY	2.43
45	00382	NUT M10X1	2.29
50	00305-K	KIT OF 20 WASHERS M10	7.47
54	00342-K	KIT OF 20 WASHERS 10.5X18X0.8	6.66
72	GBP-125386	HALFCRANK TRANSM.S.SUDAM TaG	318.22
73	IAC-30141	HALFCR. IG.S. DRAG/LEOP MY '09	248.90

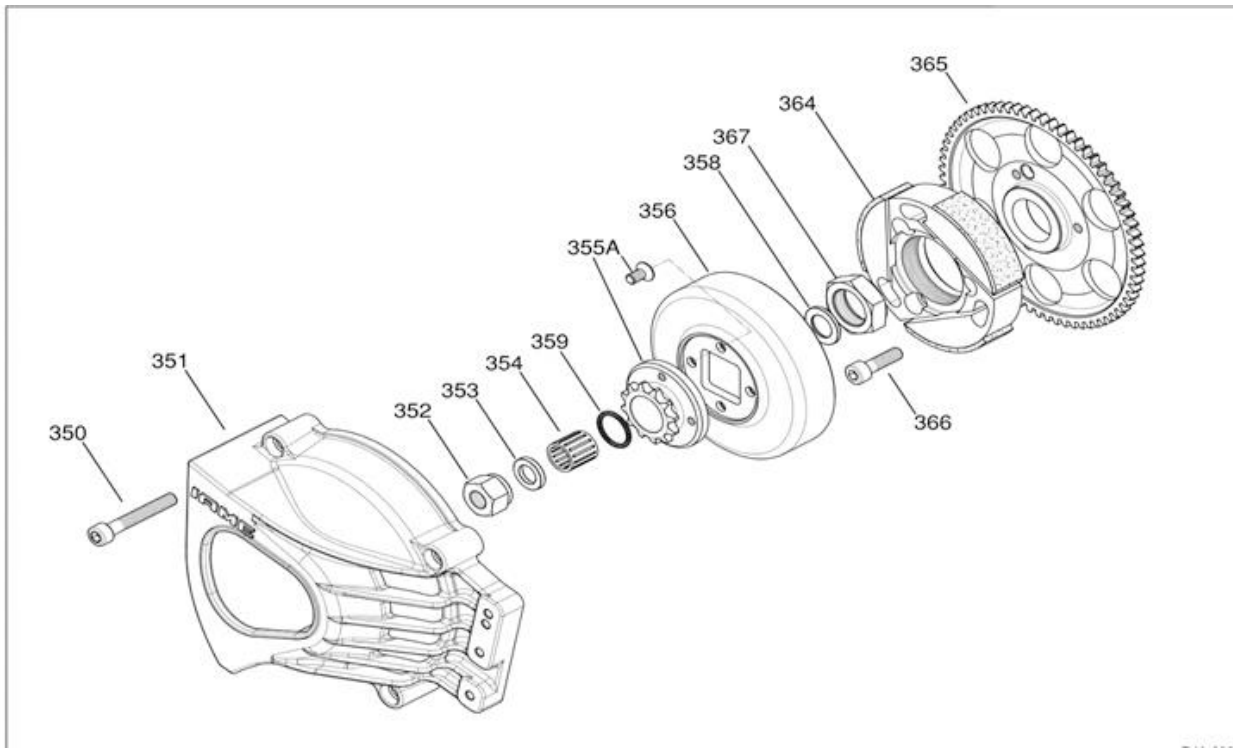


CAT-066C

POS	COD	DESCR	PRICE
49	00045-K	20 SOCKET H. SCREWS M6X25 KIT	4.57
61	10360-B	CARBURETOR GASKET	3.76
62	10525	FIX. CARB. STUDBOLT 6X25	5.08
63	00351-K	20 HEXAGONAL NUTS KIT M6	3.56
64	00302-K	KIT 20 WASHERS M6	1.81
66A	X3011830-RC	REED GROUP TOP	111.04
67	X30125810	REED BLOCK GASKET X30	5.08
68	X3011840	FIBERGLASS REED PETAL	17.09
69	F-11845A	REED CLIPS	3.56
70	10380-K	KIT 20 SCREWS 1/2 CR. HEAD 3X5	35.43
71	X30125809	TOP CONVEYOR GASKET	7.03
72	X30125815A	CONVEYOR 28mm X30	74.03
74A	IAG-90000	INLET SILENCER SOCOREM BLUE	52.98
76	10751-A	RUBBER HOSE WITH FOAM FILTER	43.96
76A	HW-33A	CARBURETOR TILLOTSON HW33A	289.95
77A	B-35520-C	CARBURETOR BRACKET	23.00



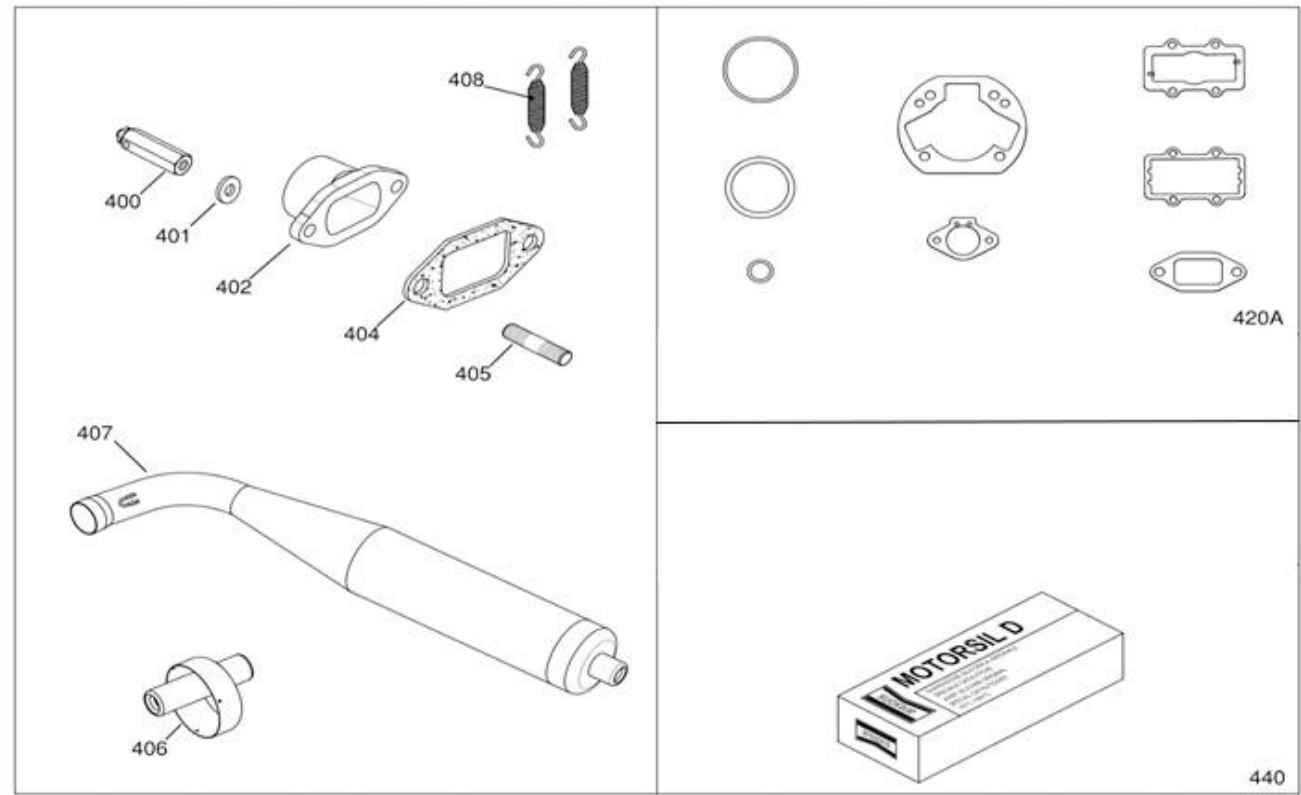
POS	COD	DESCR	PRICE
151	00047-K	KIT OF 20 ALLEN SCREWS 6x35	7.18
151B	00049-K	KIT OF 20 ALLEN SCREWS 6x45	7.18
151C	00045-K	KIT 20 SOCKET H. SCREWS M6X25	4.57
152	A-120850	STARTER TaG	241.83
153	A-60865	ROLLER CAGE TaG	11.28
154	A-120856	BENDIX	122.91
158	A-60870	BENDIX SUPPORT	17.09
159	A-120860-C	COUNTERSH. SUPPORT TaG W/ROLLER	117.95
254A	A-60852A-C	STARTER BRUSHES KIT	30.91
256B	A-125863-C	STARTER SUPPL. SUPPORT	43.12



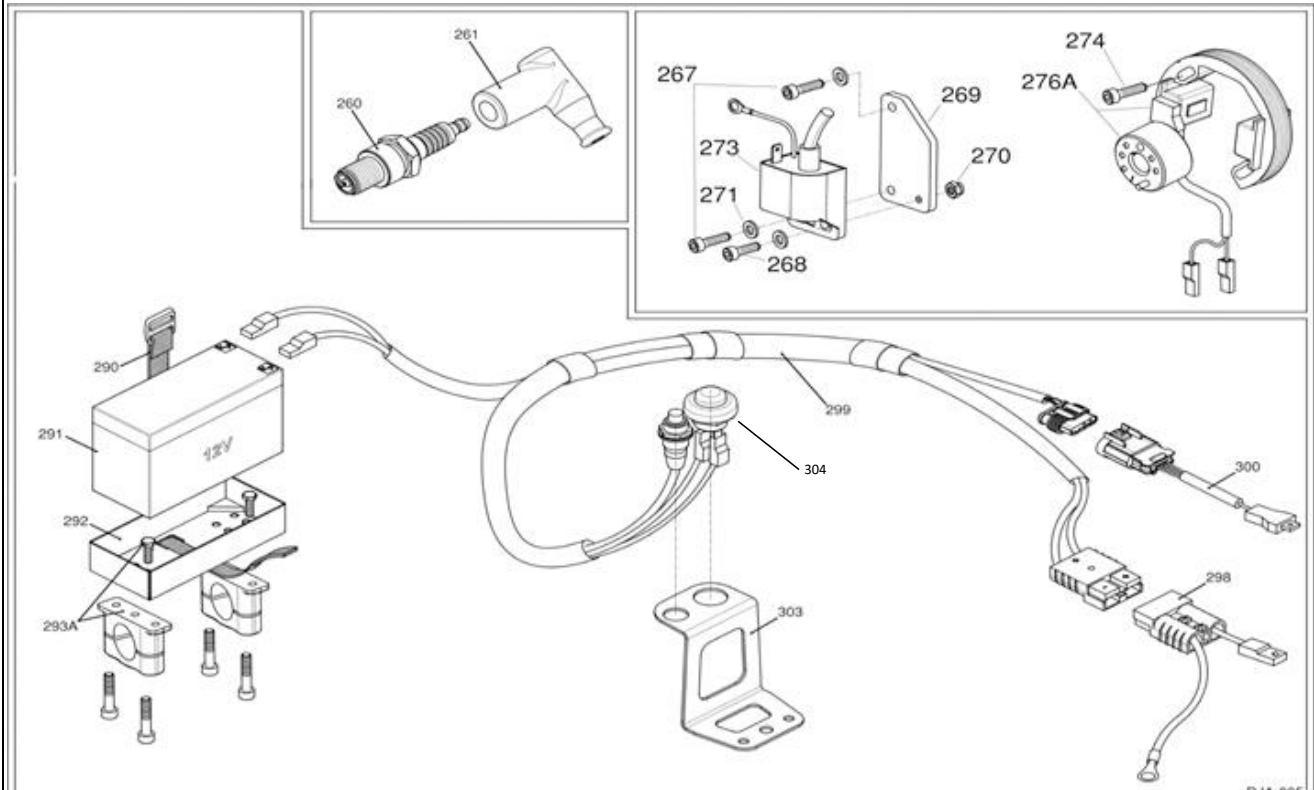
POS	COD	DESCR	PRICE
350	00046-K	KIT 20 SCREWS 6x30	7.47
351	A-60595B	CLUTCH GUARD X30	54.05
352	D-75570	STARTER NUT TaG	7.13
353	D-75573	THRUST WASHER EXTERNAL	3.56
354	B-55598	CLUTCH ROLLER CAGE TaG	19.18
355A	X30125554-C	SPROCKET Z10 W/SCREWS	68.08
355A	X30125555-C	SPROCKET Z11 W/SCREWS	68.08
355A	X30125556-C	SPROCKET Z12 W/SCREWS	68.08
355A	X30125557-C	SPROCKET Z13 W/SCREWS	68.08
356	X30125550A	CLUTCH DRUM NO HOLES	76.08
358	D-75565	WASHER INTERNAL	5.08
359	A-60565	CLUTCH DRUM OR	2.20
364	X30125841	PADDED HUB X30 '13	180.02
365	IAI-30000	STARTER WHEEL REEDJ-AU/LEOP MY09	116.04
366	00042-K	KIT 20 SCREWS TECNIC 150 M6x16	16.10
367	IFF-21300	WHEEL LOCKING NUT	17.72

EXHAUST GROUP & GASKETS SET

KA100

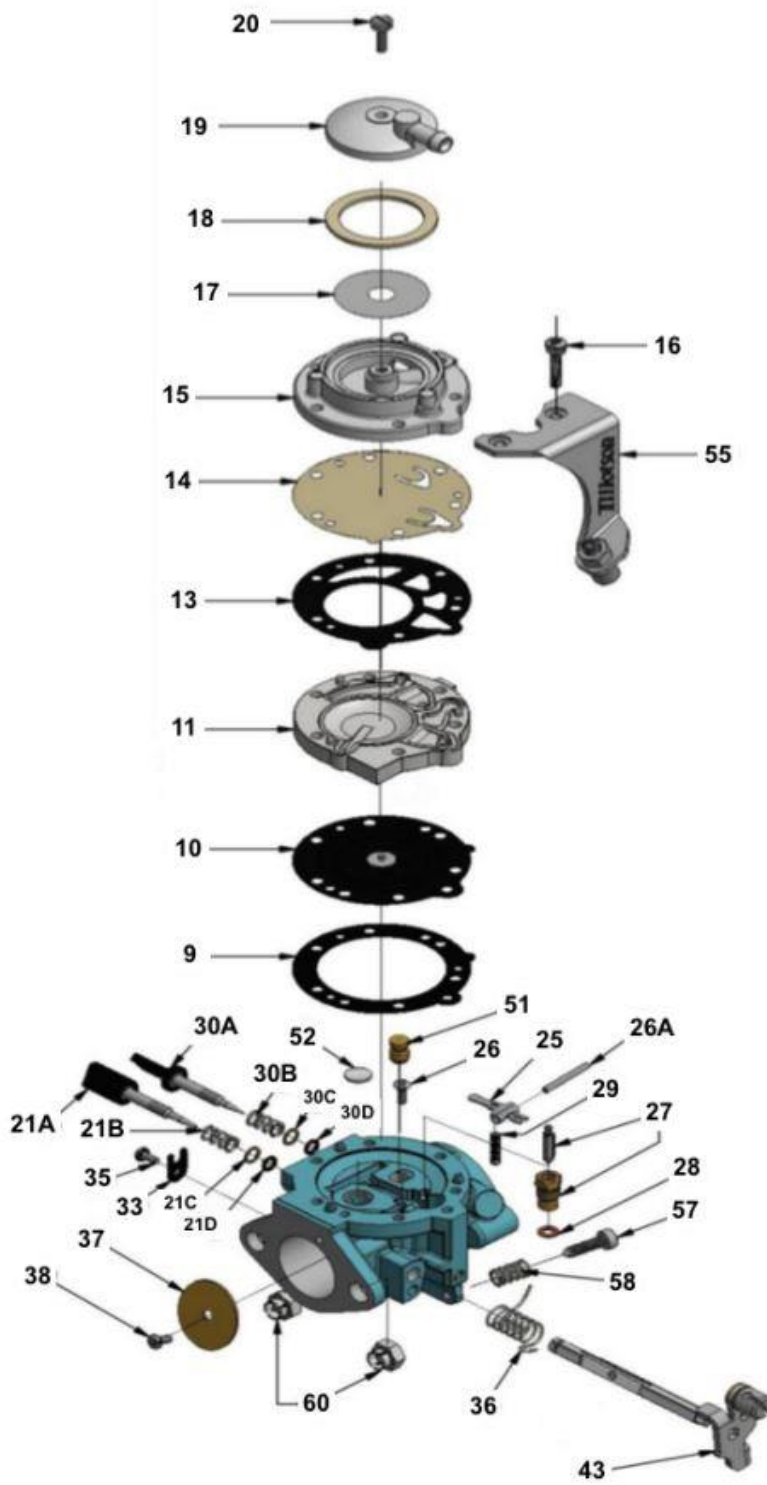


POS	COD	DESCR	PRICE
400	IAA-20300	PIERCED EXHAUST NUT	8.98
401	00303-K	KIT OF 20 WASHERS M8	1.90
402	IAH-02000	EXHAUST MANIFOLD REEDJET	66.63
402	IAH-02010	EXHAUST MANIFOLD REEDJET JR. 22mm	66.63
404	B-75360	EXHAUST GASKET	8.35
405	B-75355	EXHAUST STUDBOLT 8X36	8.35
406	IAH-04301	SILENCER END	42.42
407	IAH-04000	SILENCER KA100	272.80
408	IFH-55100	FLEXIBLE SPRINGS	9.32
420A	IAZ-125992	GASKETS SET KA100 USA	38.23
440	00602	LIQUID GASKET AREXON	43.59

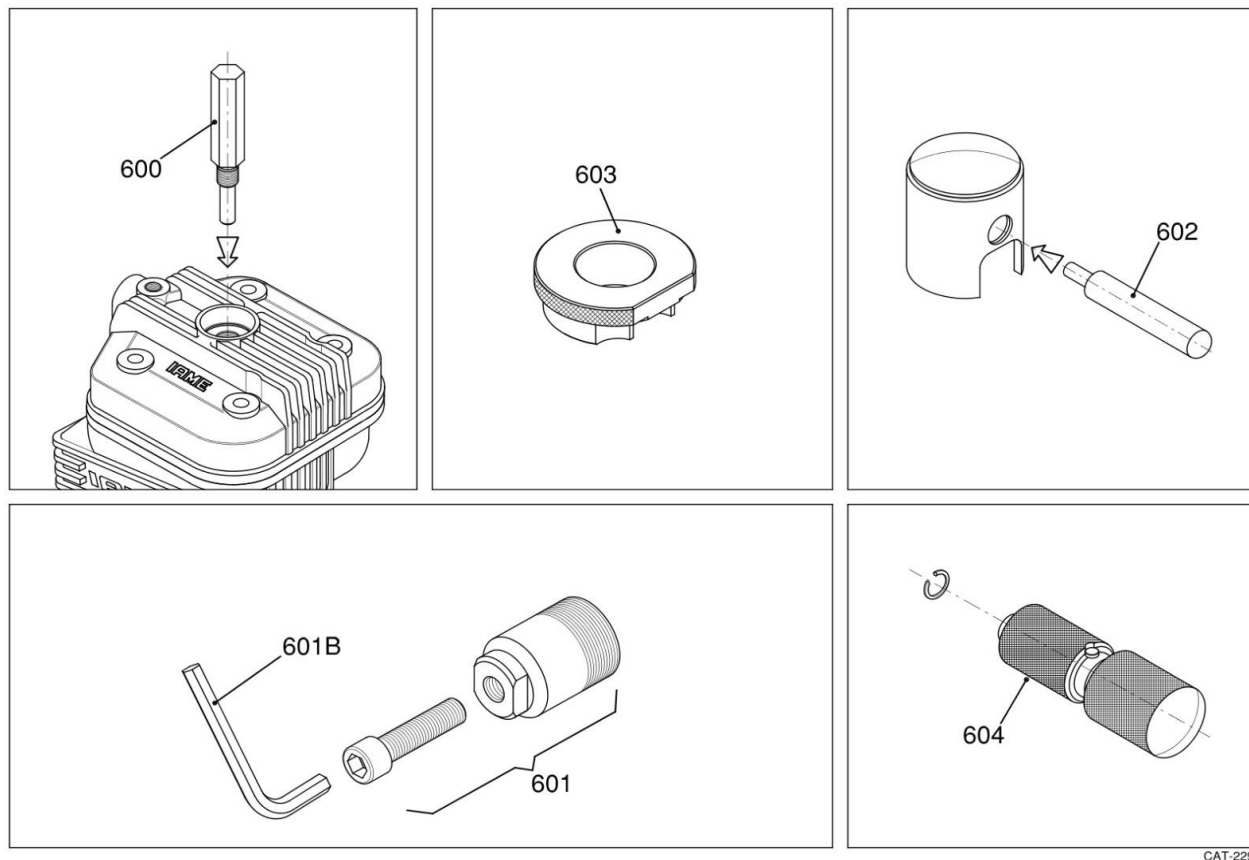


POS	COD	DESCR	PRICE
260	10561-A	SPARK PLUG NGK BR10EG	12.95
260	10561NGK6252	NGK R6252K-105 RESIST SPARK PLUG	12.95
261	10544	PVL SPARK CAP	20.45
267	00032-K	KIT OF 20 SCREWS 5x20	4.88
268	00031-K	KIT OF 20 ALLEN SCREWS 5x16	5.08
269	A-61510	COIL SUPPORT	22.08
270	00378-K	20 SELF LOCKING NUTS KIT M6	4.57
271	00301-K	KIT 20 WASHERS M5	1.81
272	A-61520	COIL DAMPENER	11.76
273	A-61955	SELETTA COIL BLACK	106.99
274	00034-K	KIT OF 20 ALLEN SCREWS 5x25	4.57
276A	A-61951A	IGNITION 2 POLES '14	172.36
290	A-60904A	BATTERY FIXING BELT	17.09
291	X30125900	AMSTRON BATTERY	54.00
292	X30125905	BATTERY SUPPORT	41.11
293A	A-60906A/1	SUP.BAT.CLAMP BOTTOM ONLY 28MM	14.25
293A	A-60907A/1	SUP.BAT.CLAMP BOTTOM ONLY 30MM	14.25
293A	A-60906A-C1	SUP.BAT.CLAMP 28mm W/SCREWS'13	33.23
293A	A-60907A-C	SUPP.BATT.CLAMP 30mm W/SCREWS W/O RUBBERS	29.20
293A	A-60907A-C1	SUP.BAT.CLAMP 30mm W/SCREWS'13	33.23
293A	A-60908A-C1	SUP.BAT.CLAMP 32mm W/SCREWS'13	33.23
298	IFE-05401D	STARTER CABLE	33.92
299	IFE-05003A	CABLES HARNESS DIG. S	168.26
300	IAE-06100	ADAPTER IGNITION 2 POLES	15.52
303	IFI-70000	BUTTONS BRACKET	16.06
304	IFE-05003-PS	KA100 PUSH START BUTTON	39.24

HW-33A Spare Parts Prices

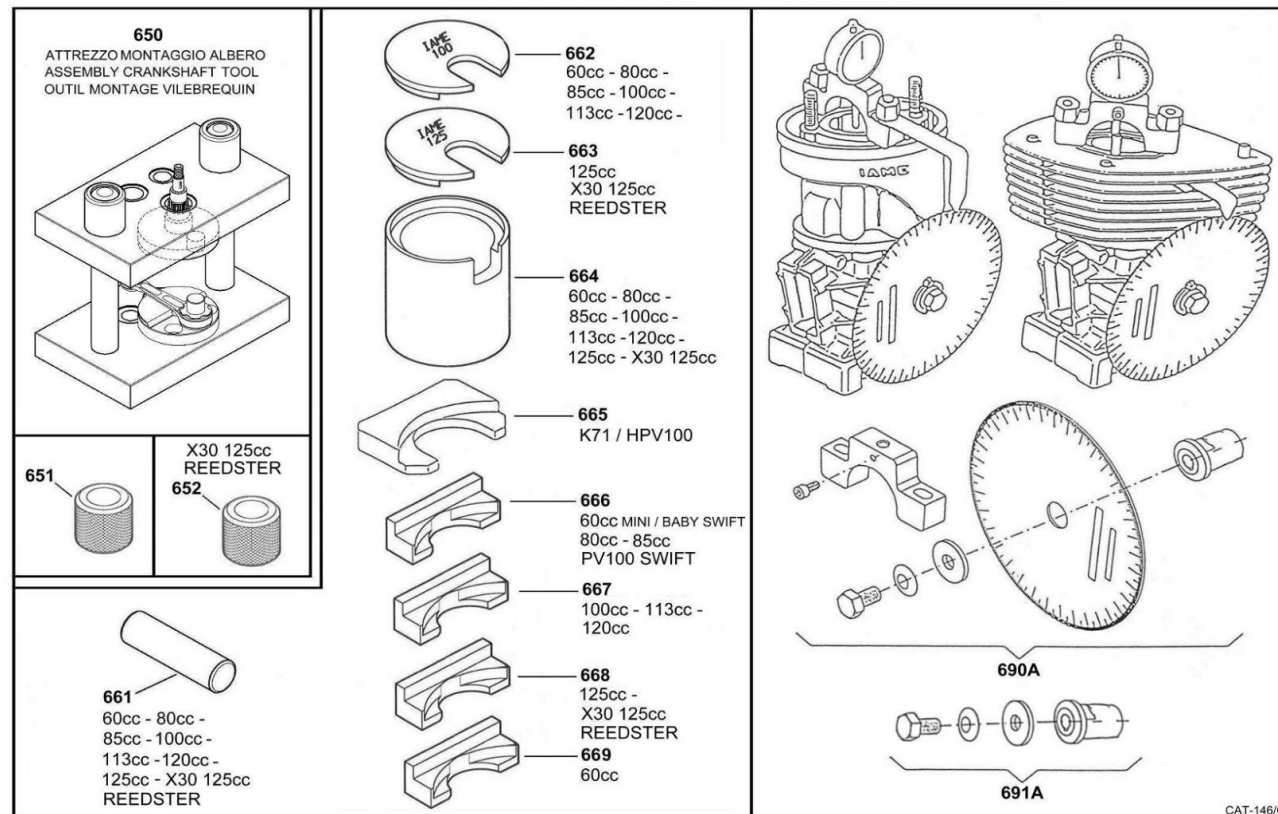


ITEM	PART NO:	DESCRIPTION	Retail Price \$
9	+ * 16-B406	DIAPHRAGM GASKET (ORANGE)	0.80
10	+ * 237-600	DIAPHRAGM	4.91
11	91A-275	DIAPHRAGM COVER	7.07
13	+ * 16-B407	FUEL PUMP GASKET (ORANGE)	2.47
14	+ * 237-223	FUEL PUMP DIAPHRAGM	4.35
15	141-89	FUEL PUMP BODY	9.67
16	15C-51	FUEL PUMP BODY SCREW	0.91
17	95 - 170	FUEL STRAINER SCREEN	0.92
18	+ * 16-B205	FUEL STRAINER COVER GASKET	0.66
19	91-A251	FUEL STRAINER COVER	3.04
20	15-B313	FUEL STRAINER COVER RETAINING SCREW	0.71
21A	43-1029	IDLE MIXTURE SCREW	10.16
21B	24-B449	IDLE MIXTURE SCREW SPRING	0.59
21C	78A-256	IDLE MIXTURE SCREW WASHER	0.76
21D	44-361	IDLE MIXTURE SCREW PACKING	1.04
25	* 155A-27	INLET CONTROL LEVER	0.80
26	15-B329	FULCRUM LEVER SCREW	0.69
26A	32-79	FULCRUM LEVER PIN	0.59
27	* 233-721P	INLET NEEDLE & SEAT SET	15.45
28	16-B199	INLET SEAT GASKET	0.53
29	24-B299	INLET TENSION SPRING	1.58
30A	43-1030	HIGH SPEED MIXTURE SCREW	10.16
30B	24B-449	HIGH SPEED MIXTURE SCREW SPRING	0.59
30C	78A256	HIGH SPEED MIXTURE SCREW WASHER	0.76
30D	44-361	HIGH SPEED MIXTURE SCREW PACKING	1.04
33	29-224	THROTTLE SHAFT CLIP	0.98
35	15-C19	THROTTLE SHAFT CLIP RETAINING SCREW	0.87
36	24-B381	THROTTLE RETURN SPRING	0.91
37	14-A118	THROTTLE SHUTTER	19.11
38	15-C20	THROTTLE SHUTTER SCREW	0.87
42	13-B216	THROTTLE SHAFT	15.50
43	12-1220	THROTTLE LEVER ASSEMBLY	17.20
44	15-C52	THROTTLE LEVER RETAINING SCREW	0.84
51	363-318	IDLE NOZZLE	10.63
54	80-160	MAIN PLUG	0.99
55	136-562	CABLE BRACKET	20.18
56	15-C67	CABLE BRACKET RETAINING SCREW	0.87
57	15-C9	LIMITER SCREW	2.21
58	24-B131	LIMITER SPRING	0.46
60	81-377	CARBURETTOR MOUNTING NUT	3.00
62	24-C-334	CABLE RETURN SPRING	3.85
	HW-33A	Carburettor	289.95
	RK-6-HW	REPAIR KIT	32.95
	DG-3-HW	DIAPHRAGM & GASKET (STANDARD)	14.95
* INDICATES CONTENTS OF REPAIR KIT			
* + INDICATES CONTENTS OF DIAPHRAGM & GASKET SET			



CAT-229

POS	COD	DESCR	PRICE
600	10271	PISTON STROKE LOCKER	38.12
601	ATT-039-C	STARTER GEAR PULLER	93.57
602	10200	PISTON PIN PUNCH 125cc	25.05
603	ATT-037	STARTER DRIVE WHEEL HOLD. TOOL	43.96
604	ATT-026	CLUTCH HUB PULLER 2009	51.05
604B	10159	CLUTCH PULLER WRENCH 12MM	23.00
605	10120	CIRCLIP ASSEMBLING TOOL 14MM	174.02



POS	COD	DESCR	PRICE
650	10110A	CRANKSHAFT ASSY TOOL	1,956.82
652	10150A	CRANK-PIN BUSH mm20	73.15
661	10107	CRANK-PIN PUSHER	11.66
663	10104A	CRANKSHAFT PLATE 125cc	100.61
664	10100	CRANKSH. DISASSY SUPPORT	167.09
668	10106	CRANKSHAFT INSERT 125cc-SUP	54.29
690A	10820A	TIMING GROUPO TaG/REEDSTER	130.03
691A	10828-C	TAG COMPL.TIMING GROUPO M10	53.38