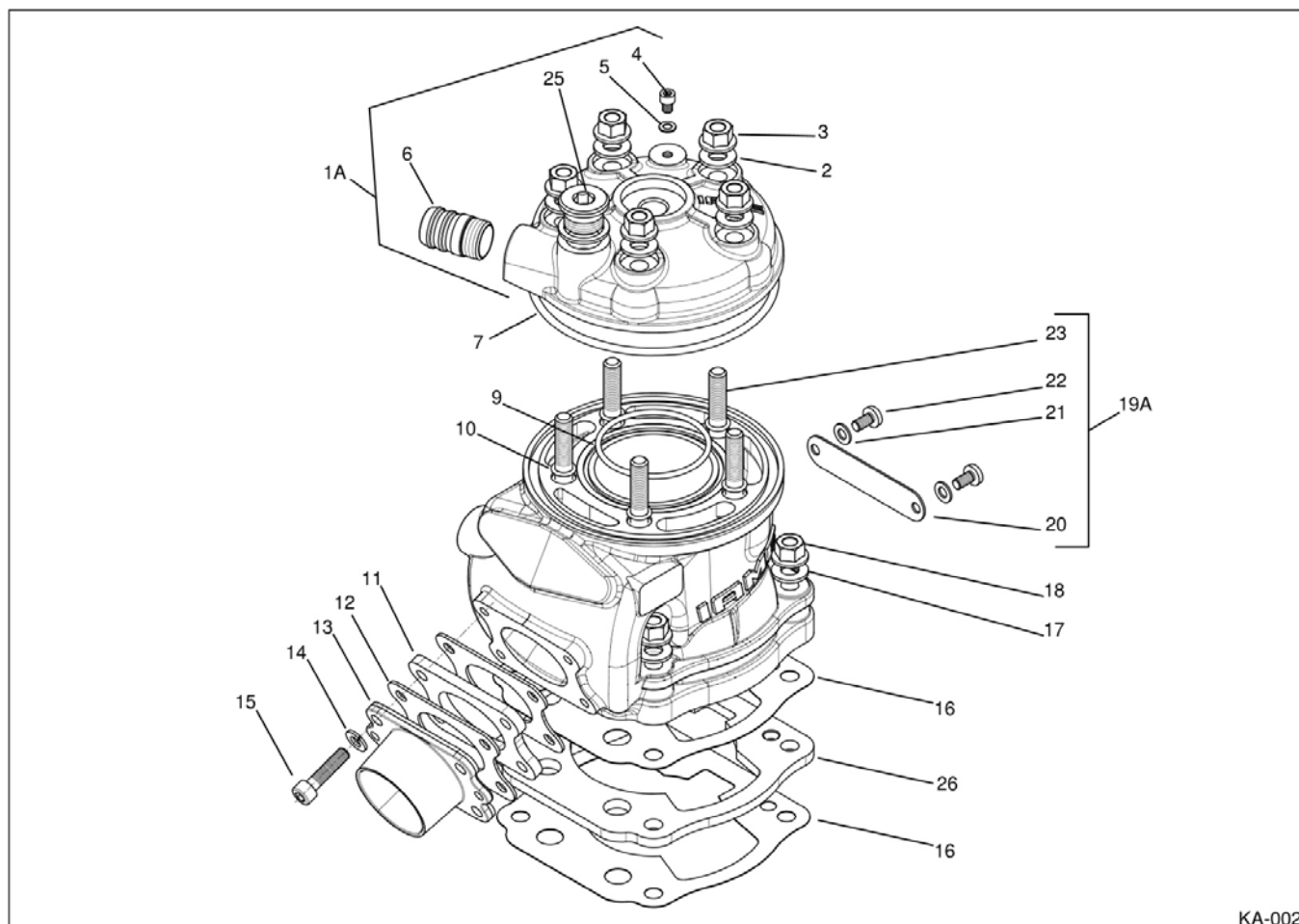




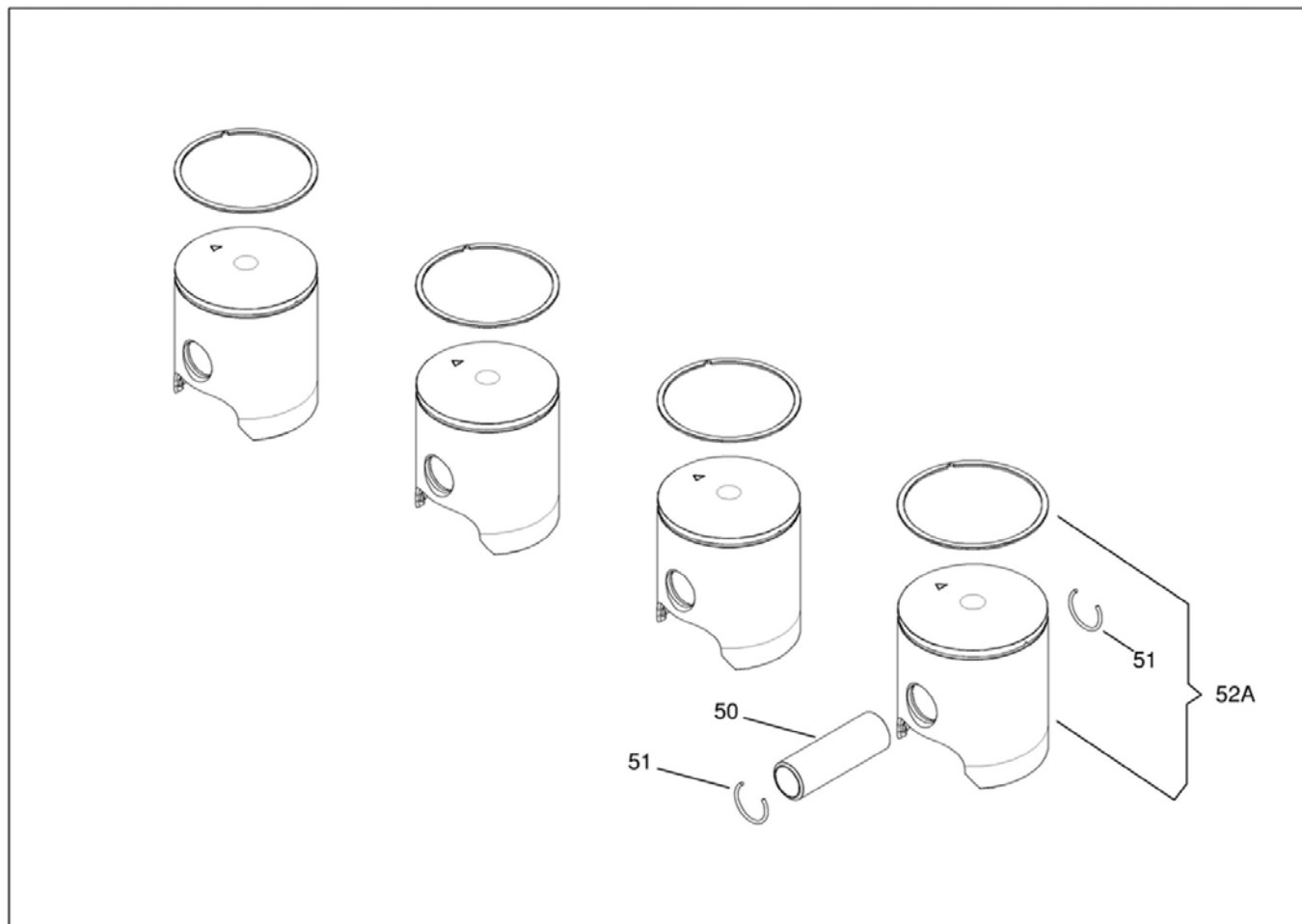
# HEAD AND CYLINDER



KA-002

POS	COD	DESCR	PRICE \$
001A	TZA-40100-C	COMPL. CYLINDER HEAD KZ-175cc	136.18
002	00303-K	KIT OF 20 WASHERS M8	1.81
003	00363-K	KIT 20 FLANGE NUTS M8	4.68
003	TZA-20201	CYLINDER STUDBOLT M8x68	11.16
004	00066-K	KIT 20 SOCKET H. SCREWS M6X12	9.54
005	00345	M6 WASHER	0.61
006	IFA-40500	WATER PIPE FITTING	10.40
007	IFA-40300	OUT HEAD GASKET OR REEDS. / KZ	3.12
009	TZA-90000	HEAD GASKET INT. OR	4.90
010	B-25825	OR STUD-BOLT	1.80
011	TZH-20501	EXHAUST SPACER 20mm	31.80
012	IFA-20500	EXHAUST PIPE GASKET REEDST/KZ	5.35
013	IFH-02000	EXHAUST PIPE FITTING REEDS./KZ	42.77
014	00331-K	KIT 20 EXHAUST WASHERS M6	1.61
015	00045-K	KIT 20 SOCKET H. SCREWS M6X25	4.57
016	TZB-10400-0.2	BASE CYL. GASKET 0.2 KZ-175cc	5.78
016	TZB-10400-0.4	BASE CYL. GASKET 0.4 KZ-175cc	6.07
016	TZB-10400-0.5	BASE CYL. GASKET 0.5 KZ-175cc	6.07
017	00303-K	KIT OF 20 WASHERS M8	1.81
018	IFA-20300	CYL. UNDERSIZE NUT REEDST./KZ	5.80
019A	TZA-01000A	CYLINDER X30 SUPER SHIFTER	665.33
020	IZB-40500	SHIFTER ENGINE PLATE	11.99
021	00301-K	KIT 20 WASHERS M5	1.81
022	00257-K	20 SCREWS KIT M5x10	4.57
023	IFA-20200	STUDBOLT M8x51	7.76
025	IFA-90000	PLUG TCH4M M18x1.5	6.44
026	TZB-10500	CYL. BASE 5mm SPACER	54.36

# PISTON

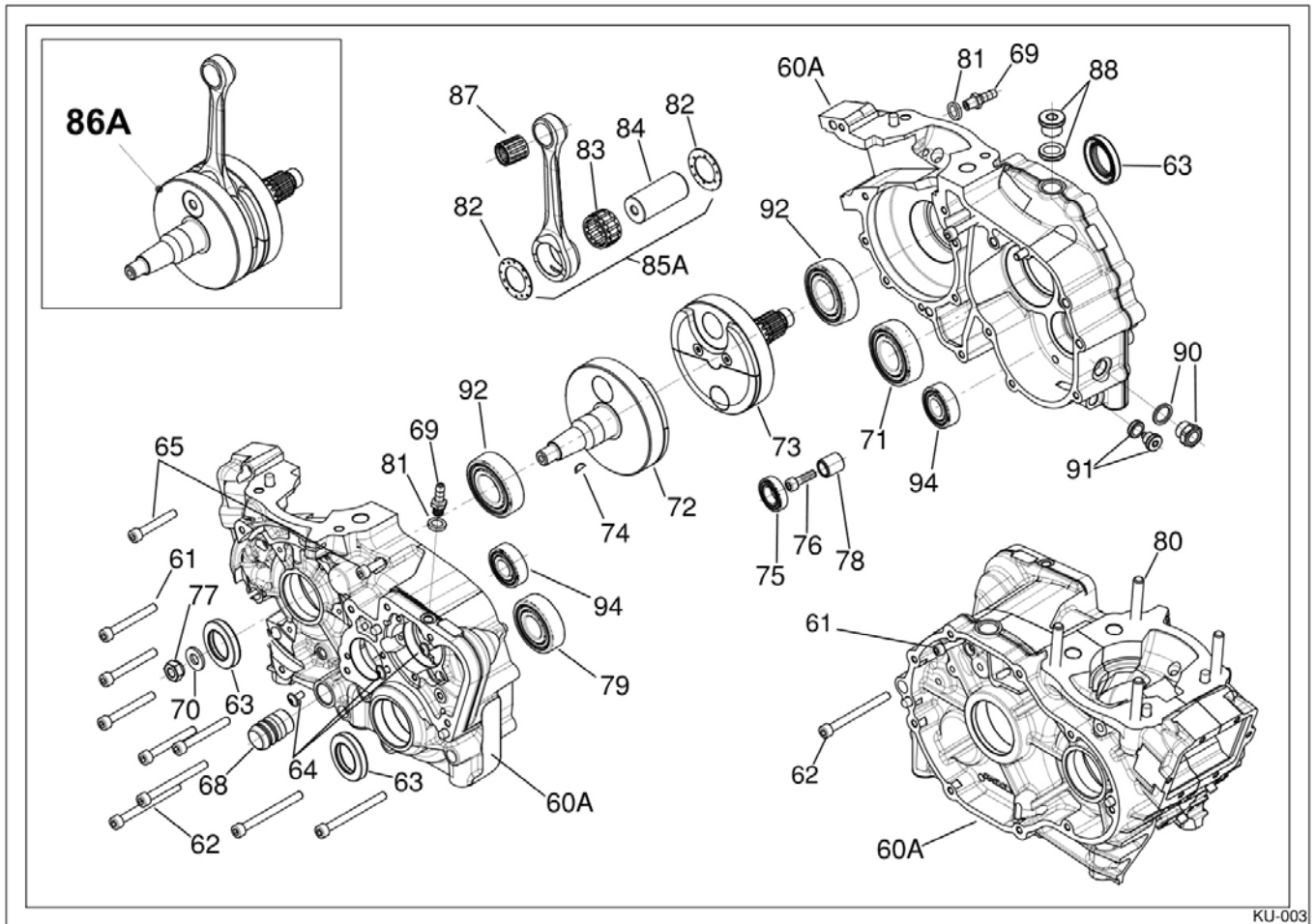


KT-001

## RICAMBI / SPARES

POS	COD	DESCR	PRICE \$
050	TZA-20901	PISTON PIN 15x49	18.00
051	IFA-21050	CIRCLIP REEDSTER/KZ	1.61
052A	TZA-20602-63.78CV	PISTON COMPLETE 63.78V	118.44
052A	TZA-20602-63.80CV	PISTON COMPLETE 63.80V	118.44
052A	TZA-20602-63.82CV	PISTON COMPLETE 63.82V	118.44
052A	TZA-20602-63.84CV	PISTON COMPLETE 63.84V	118.44
052A	TZA-20602-63.86CV	PISTON COMPLETE 63.86V	118.44
052A	TZA-20602-63.88CV	PISTON COMPLETE 63.88V	118.44
052A	TZA-20602-63.90CV	PISTON COMPLETE 63.90V	118.44
052A	TZA-20602-63.92CV	PISTON COMPLETE 63.92V	118.44
052A	TZA-20602-63.94CV	PISTON COMPLETE 63.94V	118.44
052A	TZA-20602-63.96CV	PISTON COMPLETE 63.96V	118.44
052A	TZA-20602-63.98CV	PISTON COMPLETE 63.98V	118.44
052A	TZA-20602-64.00CV	PISTON COMPLETE 94.00V	118.44
052A	TZA-20602-64.04CV	PISTON COMPLETE 64.04V	118.44
052A	TZA-20602-64.08CV	PISTON COMPLETE 64.08V	118.44
052A	TZA-20602-64.12CV	PISTON COMPLETE 64.12V	118.44

# CRANKCASE & CRANKSHAFT

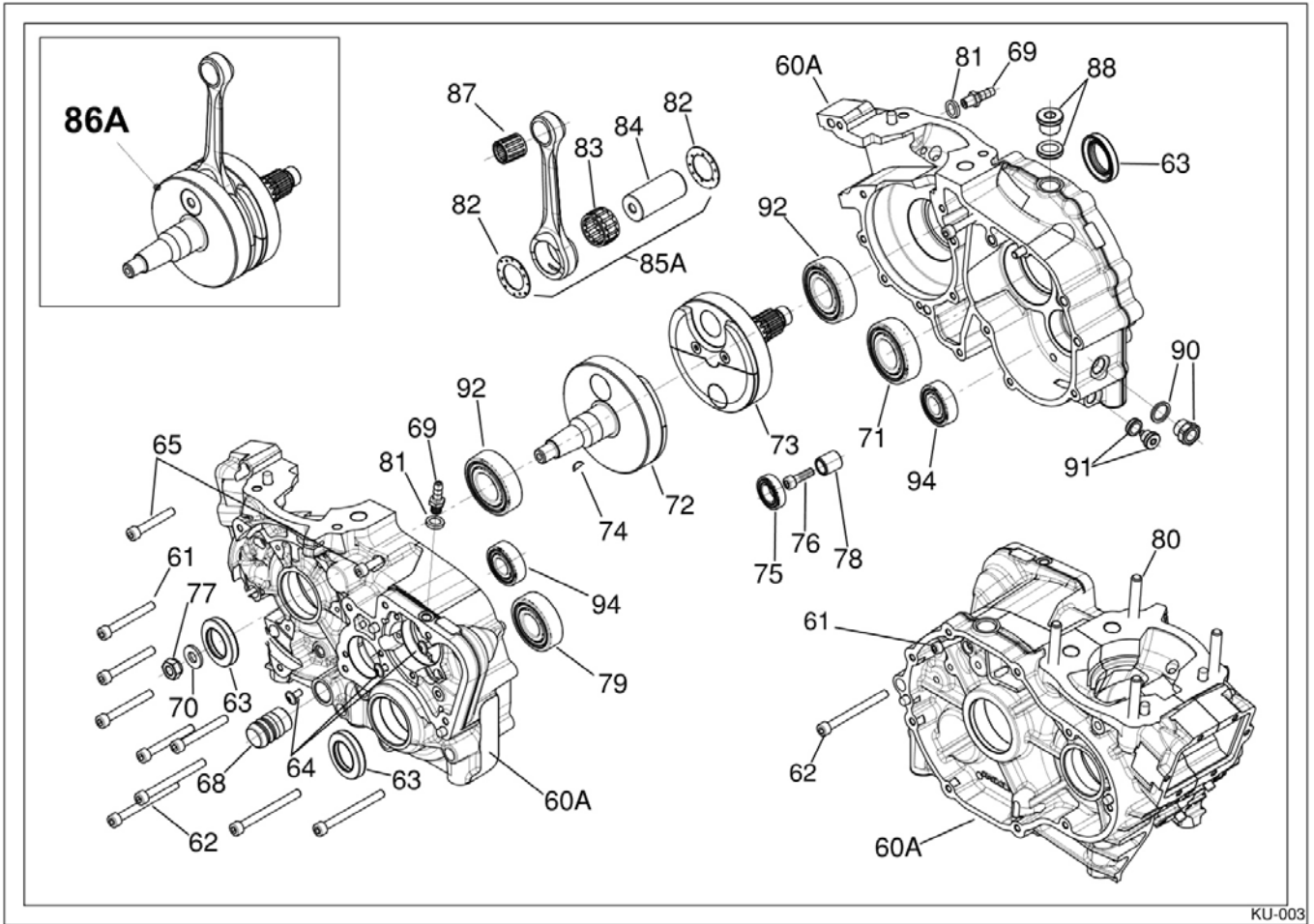


KU-003

## RICAMBI / SPARES

POS	COD	DESCR	PRICE \$
060A	TZB-01002	CRANKCASE X30 SUPER SHIFTER SPEC. US	937.44
061	00050-K	KIT OF 20 ALLEN SCREWS 6x50	6.12
062	00053-K	20 SCREWS KIT M6X65	7.52
063	X30125425A	OIL SEAL MAGN./DRIVE SIDE	15.00
064	00280-K	20 SCREWS KIT W/FLANGE M5x10	20.45
065	00048-K	KIT OF 20 ALLEN SCREWS 6x40	7.17
068	IFA-40500	WATER PIPE FITTING	10.40
069	D-95800	PRESSURE FITTING	5.08
070	D-75565	THRUST INT.WASHER H=1,8mm	5.08
071	35396-I	BALL BEARING 6205 TN9/C5	18.07
072	TZC-30101	HALF CRANKSHAFT IGN. SIDE X30 SUPER SHIFTER USA	174.96
073	TZC-20101	HALF CRANKSHAFT TRANS. SIDE X30 SUPER SHIFTER USA	172.56
074	11715	SHAFT END/SPROCKET/MAGNETO KEY	3.56
076	00044-K	KIT 20 ALLEN SCR. CYL. H. 6x20	4.88
077	10535	SPROCKET AND MAGNETO NUT	3.96
078	IZF-22300	SHIFTING DRUM SUPPORT	19.44
079	10400-F	BALL BEARING SKF 6204 TN9/C5	20.38
080	TZA-20200	CYLINDER STUDBOLT M8x56	13.93
080	TZA-20201	CYLINDER STUDBOLT M8x68	11.16
081	B-71805	PRESSURE Cu FITT. GASKET	1.81
082	TZC-70101	SILVER BRONZE WASHER	8.03
083	TZC-50200	BIG END ROLLER CAGE 22x28x15	54.02
084	TZC-40100	CRANK PIN 22x48.8	17.33
085A	TZC-50102-C	CON ROD COMPLETE INT. 115mm - CRANK PIN 22mm	189.62
086A	TZC-00102	CRANKSHAFT COMPLETE X30 SUPER SHIFTER USA	717.38
087	IFC-50350	SMALL END ROLLER CAGE	13.92
088	IZF-90500	PLUG TCE M16x1.5	6.44
090	IZB-90000	OIL LEVEL GAUGE	9.72
091	IZF-90505	MAGNETIC PLUG TCEM M10x1	6.79
092	35398A	ROLLER BEARING 6205 BC1-1442D	77.95

# CRANKCASE & CRANKSHAFT

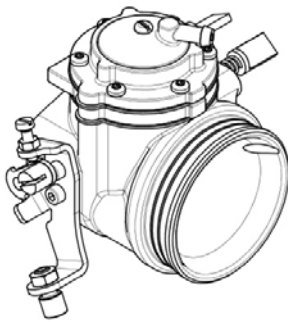
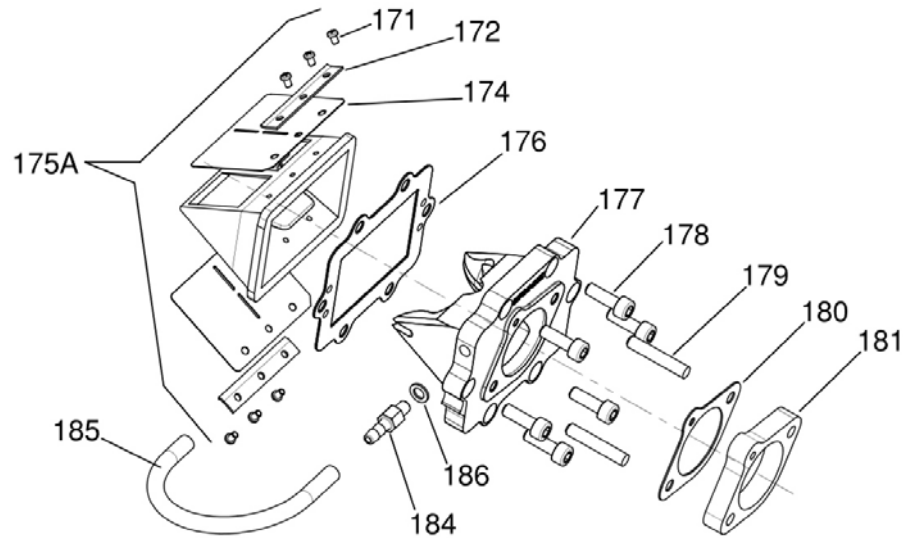


KU-003

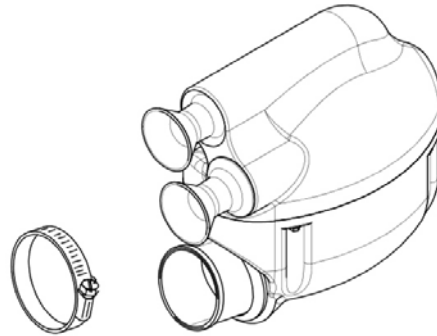
## RICAMBI / SPARES

POS	COD	DESCR	PRICE \$
094	IZF-90510	BALL BEARING SKF 6202 TN9/C4H	14.51

# INLET



220



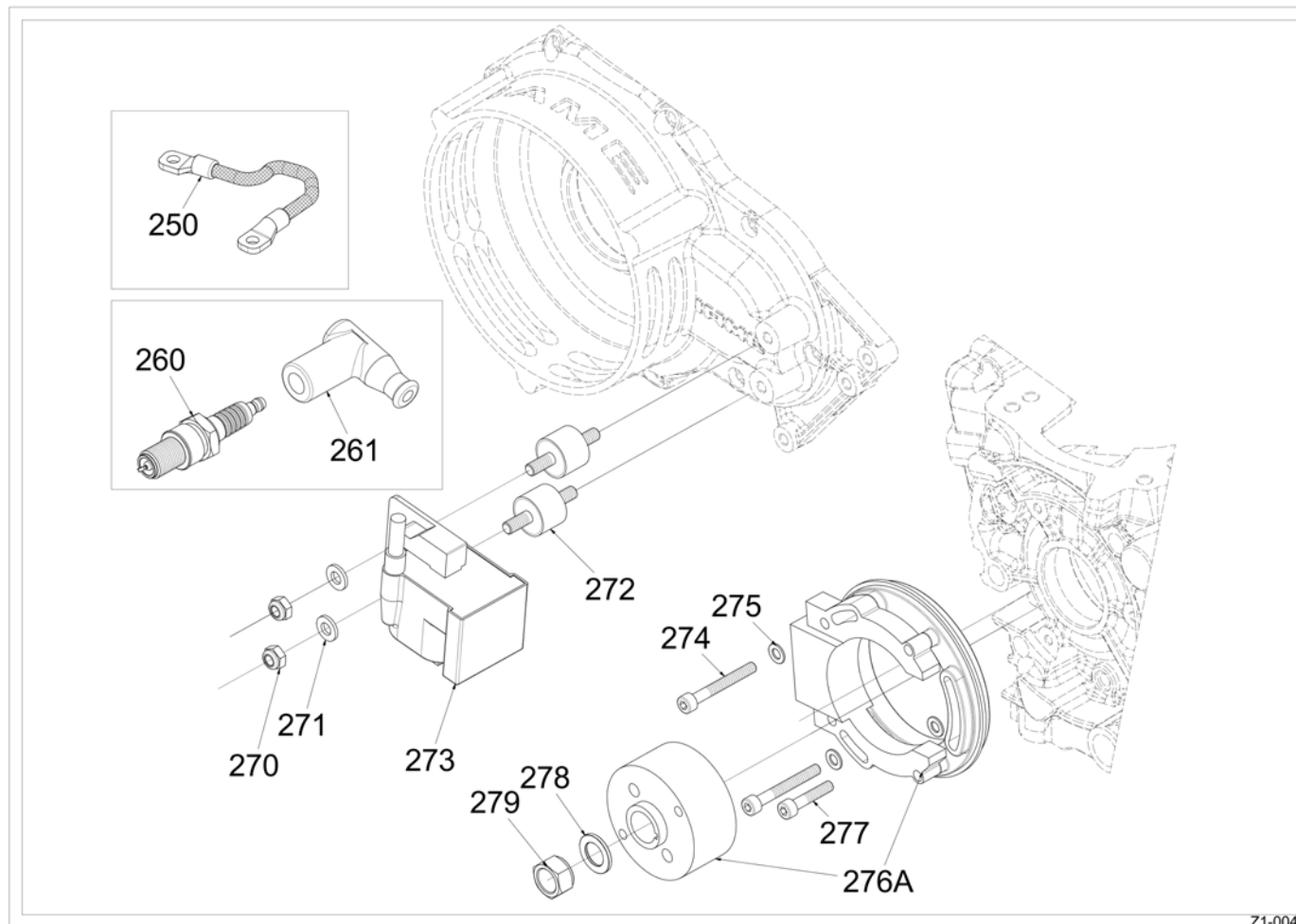
222A

KE-004

## RICAMBI / SPARES

POS	COD	DESCR	PRICE \$
171	10380	REEDS SCREW	1.77
172	IZG-20200	REED PETALS LOCKING PLATE	4.68
174	TZG-20300-C	KIT CARBON REED PETALS 175cc	66.96
175A	TZG-02000	REED VALVE ASSEMBLY	158.64
176	IZB-41100	CONVEYOR GASKET KZ	5.26
177	TZB-41001	CONVEYOR X30 S. SHIFTER TILLOTSON	106.20
178	00044-K	KIT 20 ALLEN SCR. CYL. H. 6x20	4.88
179	10358	EXHAUST STUDBOLT/REED GR. 6x34	5.08
180	TFG-04000	CARB. GASKET X30 SUPER TILL.	6.44
182	B-71805	PRESSURE Cu FITT. GASKET	1.81
183	D-95800	PRESSURE FITTING	5.08
184	IFG-50000	M6 PRESSURE FITTING	9.11
186	00345	M6 WASHER	0.61
220	TZG-00103	CARBURETTOR TILLOTSON HB-15A	420.00
222A	IZG-90005A-C	INLET SILENCER NOX R&R 30mm	99.72

# ELECTRICAL

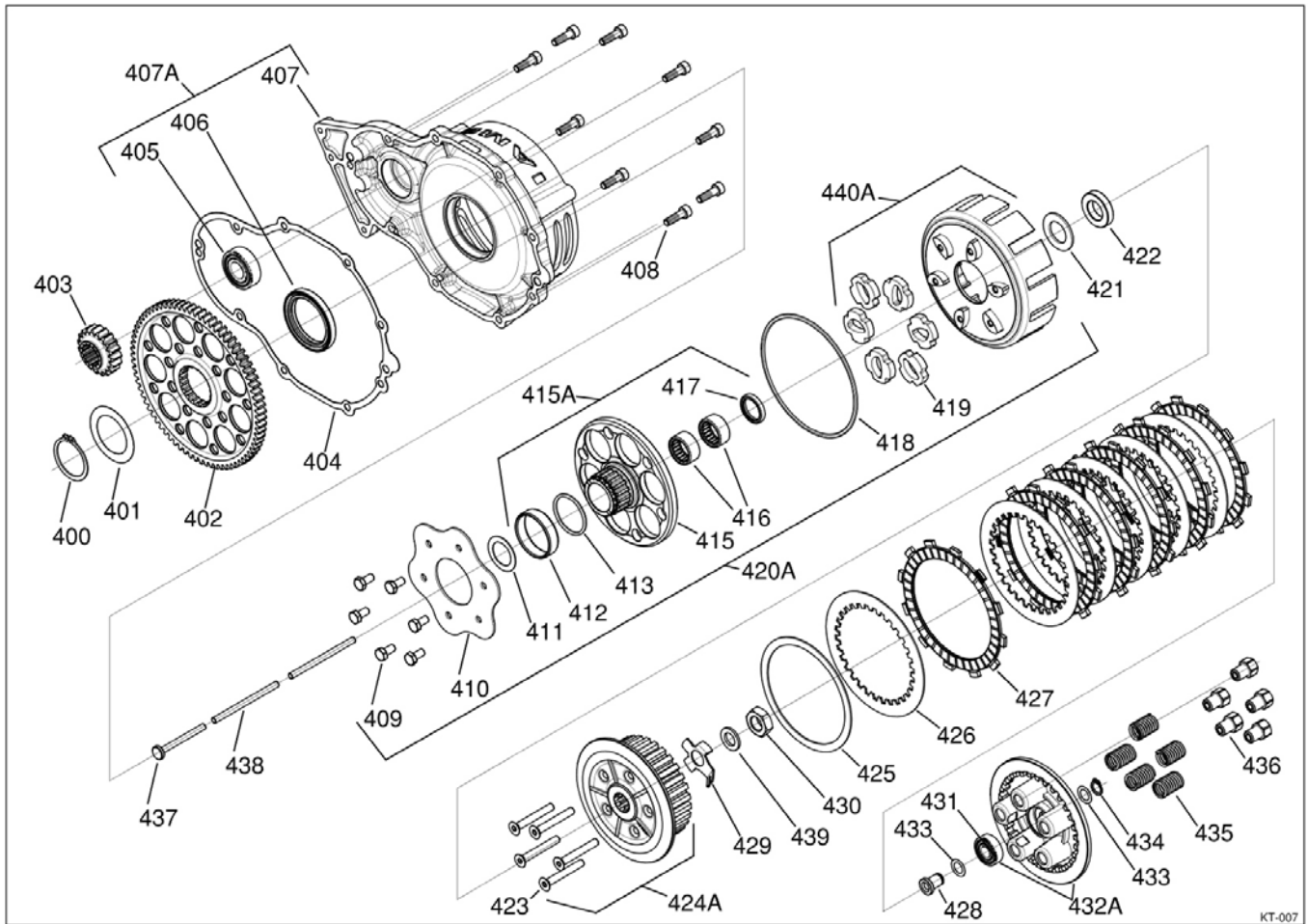


Z1-004

## RICAMBI / SPARES

POS	COD	DESCR	PRICE \$
250	B-35805-A	COIL GROUND CABLE	8.30
260	10561-A	SPARK PLUG NGK BR10EG	12.95
261	10544	PVL SPARK BLACK CAP	20.45
270	00378-K	20 SELF LOCKING NUTS KIT M6	4.57
271	00302-K	KIT 20 WASHERS M6	1.81
272	B-35810	COIL DAMPENER	9.24
273	10026	PVL COIL	133.10
274	00042-K	KIT 20 SCREWS TCCE 6x16	4.57
275	00301-K	KIT 20 WASHERS M5	1.81
276A	10016-A	PVL-SUPER IGNITION	198.24
277	00034-K	KIT OF 20 ALLEN SCREWS 5x25	4.57
278	D-75565	THRUST INT.WASHER H=1,8mm	5.08
279	10535	SPROCKET AND MAGNETO NUT	5.08

# CLUTCH GROUP

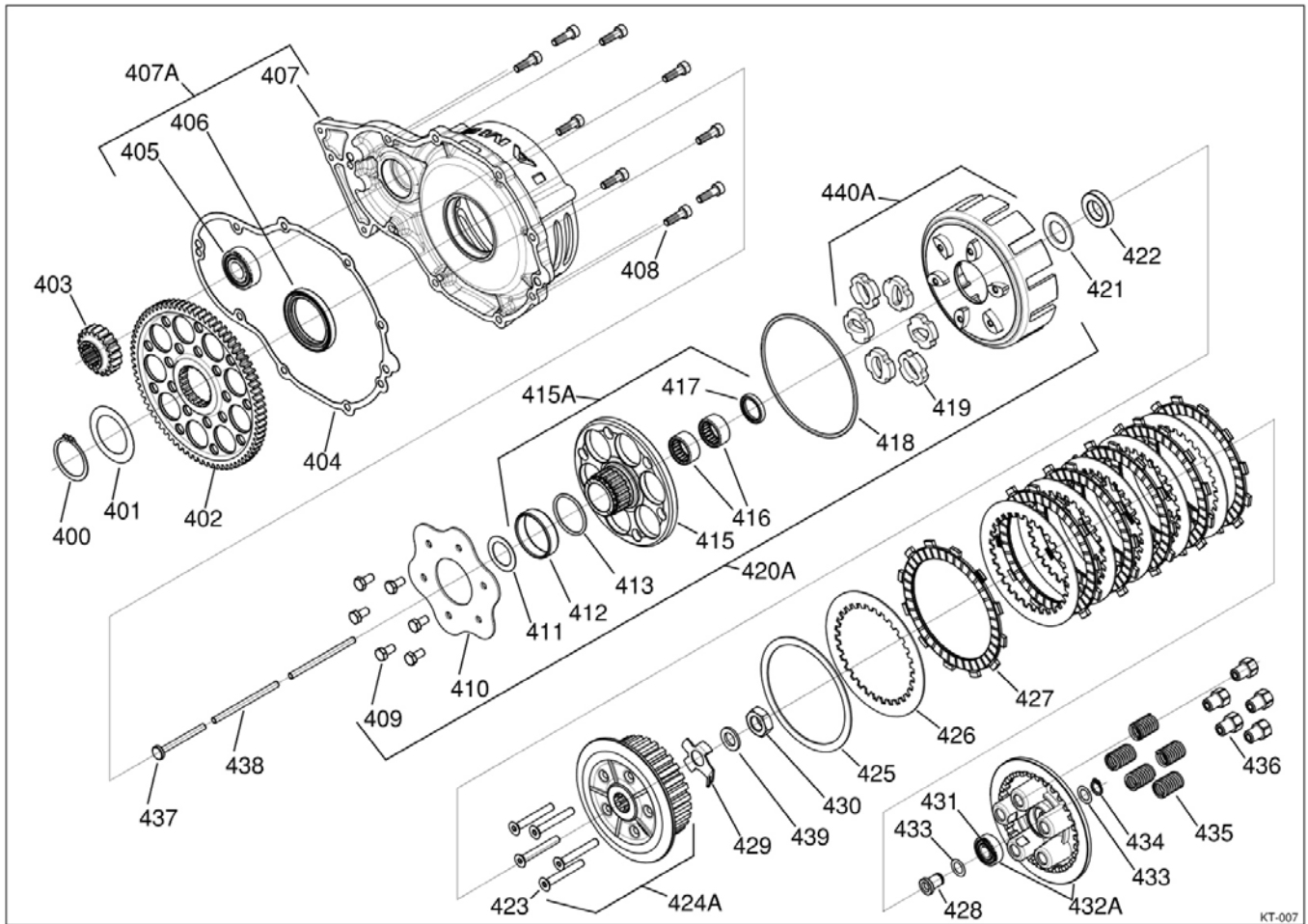


## RICAMBI / SPARES

POS	COD	DESCR	PRICE \$
400	IZF-90070	SEEGER RING A35 DIN471	0.94
401	IZF-90060	SAFETY CONE SPRING	3.60
402	IZF-02400	PRIMARY DRIVEN GEAR	198.77
403	IZC-22400	PRIMARY TRANSMISS. SPROCKET	91.58
404	IZB-40300	PRIMARY TRANSM. COVER GASKET	9.00
405	IMB-20100	BEARING 6202 T1XC4	18.90
406	IZF-90010	PRIMARY TRANSM. OIL SEAL	3.35
407A	IZB-40200-C	COVER CLUTCH SIDE KZ COMPL.	240.12
408	00044-K	KIT 20 ALLEN SCR. CYL. H. 6x20	4.88
409	00161-K	KIT OF 20 HEX. SCREWS 6x12	7.47
410	IZF-00900	SHOCK ABSORBER PLATE	13.72
411	IZF-02500	SHIM PRIMARY DRIVEN GEAR	9.40
412	IZF-01100	OIL SEAL BUSH	22.64
413	IZF-90030	O-RING 3131 FPM 75	2.09
415A	IZF-01000-C	COMPL. SHOCK ABSORBER HUB	243.12
416	IZF-90000	NEEDLE BEARING	13.07
417	IZF-90015	OIL SEAL G20x26x4B	12.17
418	IZF-90035	OIL SEAL	1.33
419	IZF-00800	DAMPER SHOCK ABSORBER	2.16
420A	IZF-00200	SHOCK ABSORBERS ASSEMBLY	344.38
421	IZF-90080	SPACER RING PS 22x32x1	1.91
422	IZF-02200	CLUTCH DRUM SPACER	14.58
423	00129-K	20 FLATHEAD SCREWS KIT M6x45	5.33
424A	IZF-05000	CLUTCH DRUM WITH SCREWS	94.92
425	IZF-02100	SAFETY CONE SPRING	9.22
426	IZF-00700	BARE CLUTCH DISC	10.80
427	IZF-00600	PADDED CLUTCH DISC	12.95
428	IZF-01400	THRUST BEARING PLATE	20.66



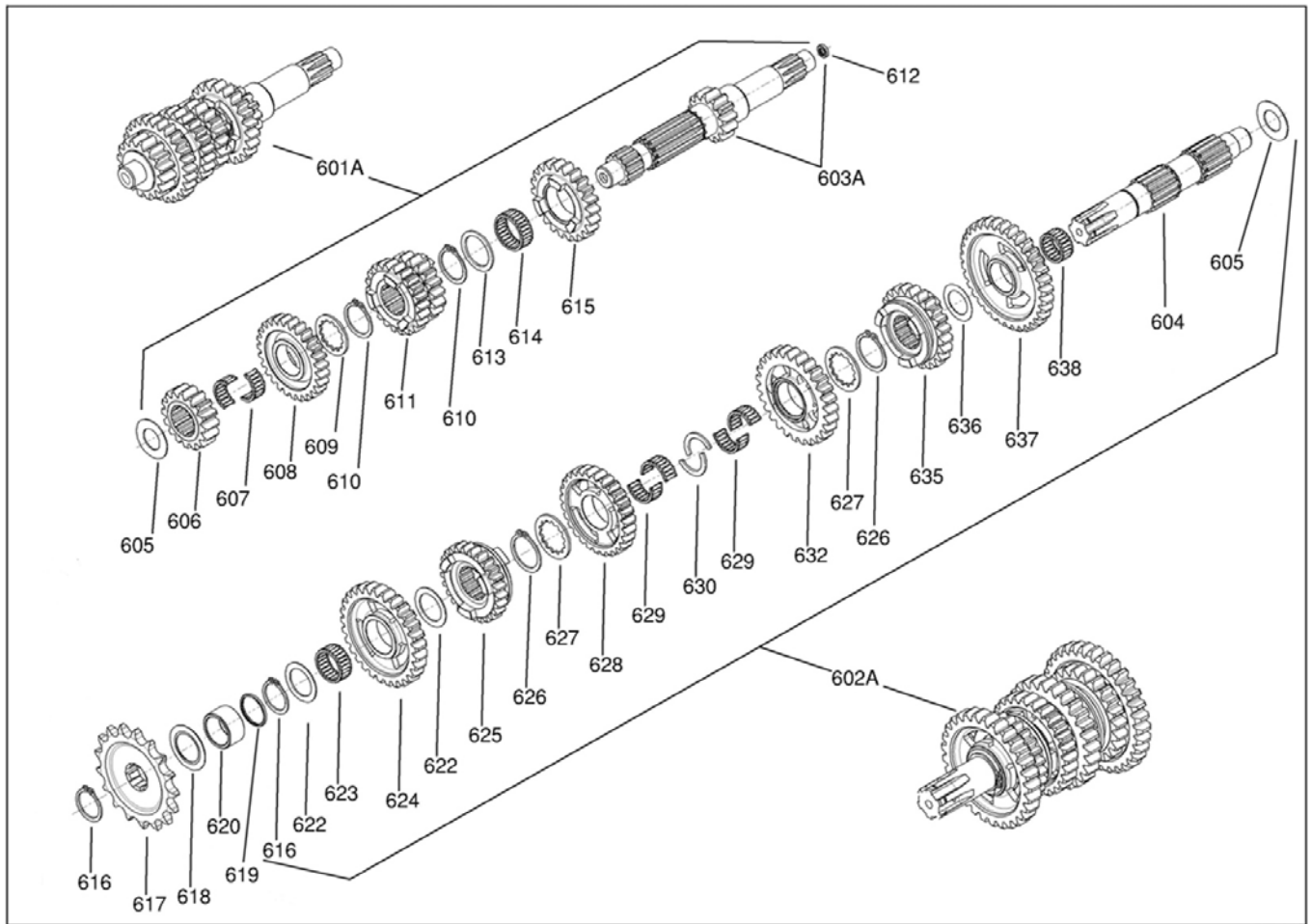
# CLUTCH GROUP



## RICAMBI / SPARES

POS	COD	DESCR	PRICE \$
429	IZF-01700	CLUTCH NUT WASHER	8.32
430	00364	NUT M14x1	18.36
431	IZF-90460	THRUST BEARING PLATE	12.31
432A	IZF-04000	PRESS. PLATE W/ BALL BEARING	81.41
433	IZF-90090	SPACER RING	1.37
434	IZF-90065	SEEGER RING A10 DIN471	0.32
435	IZF-01202	CLUTCH SPRING '14	13.64
436	IZF-01300	CLUTCH SPRING RETAINER	13.68
437	IZF-01600	CLUTCH PUSH PLATE	15.66
438	IZF-01500	PUSH ROD CLUTCH	4.18
439	IZF-02300	CLUTCH NUT WASHER	7.99
440A	IZF-00300	CLUTCH DRUM W/SHOCK ABSORB.	71.23

# GEARBOX

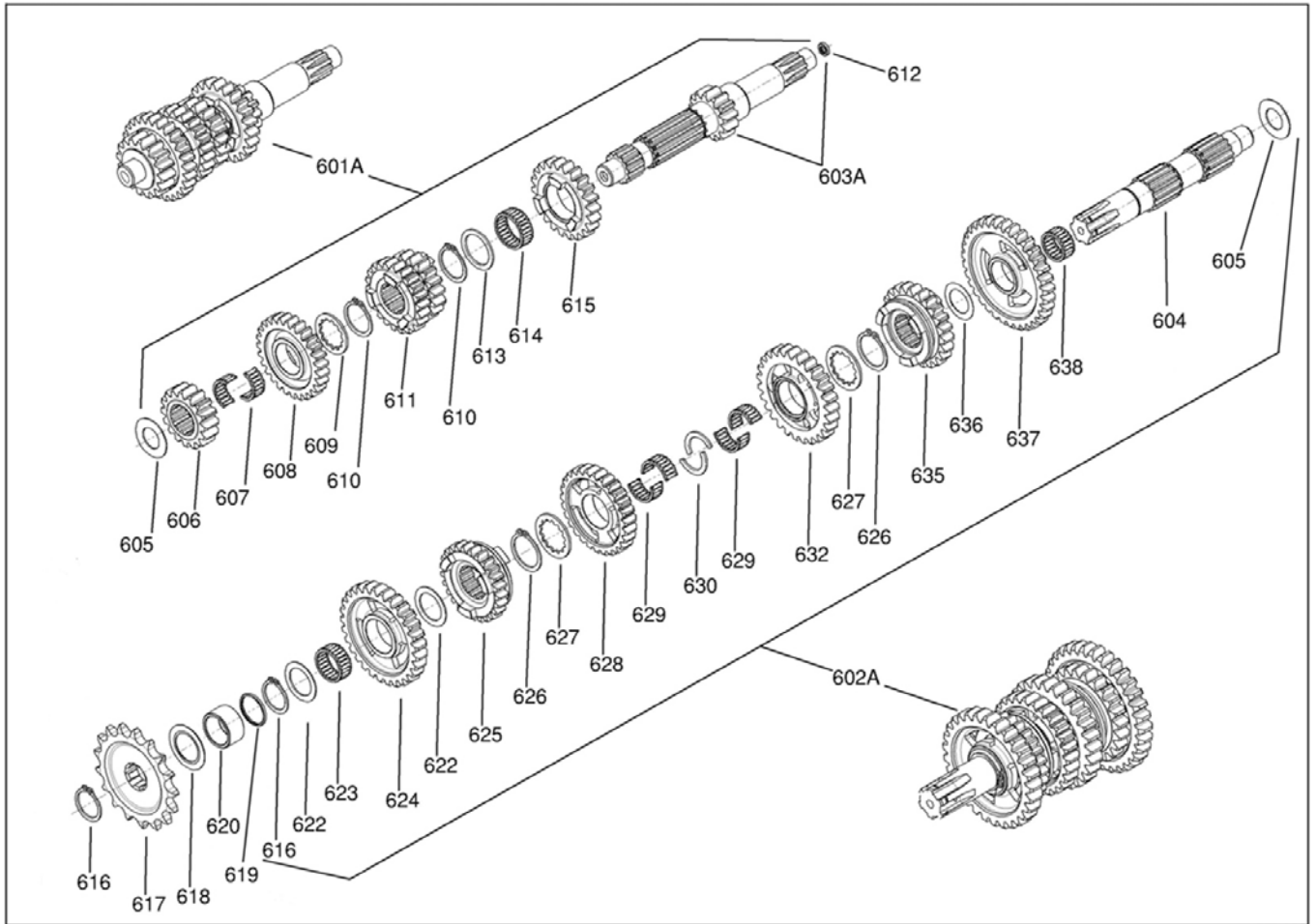


KT-008

## RICAMBI / SPARES

POS	COD	DESCR	PRICE \$
601A	IZF-30000	COMPLETE PRIMARY SHAFT	846.10
602A	IZF-31000	COMPLETE SECONDARY SHAFT	807.94
603A	IZF-20100-C	PRIMARY SHAFT WITH RING	249.53
604	IZF-20200	SECONDARY SHAFT	155.02
605	IZF-21900	SHIM PRIMARY/SECONDARY SHAFT	2.63
606	IZF-20300	2nd G. DRIVE GEAR	72.55
607	IZF-20450	SPLITTED ROLLER CAGE K18x22x10	31.70
608	IZF-20600	6th G. DRIVE GEAR	75.22
609	IZF-21400	SPLINED SHIM 6th SPEED	9.68
610	IZF-90045	SEEGER RING A22 DIN471	0.50
611	IZF-20400	3rd/4th G. DRIVE GEAR	131.59
612	IZF-90020	OIL SEAL GR5x9x2	12.78
613	IZF-21300	5th GEAR SHIM	4.72
614	IZF-20452	ROLLER CAGE	11.41
615	IZF-20500	5th G. DRIVE GEAR	85.20
616	IZF-90055	SEEGER RING A20 DIN471	0.54
617	IZF-25800	SPROCKET Z15	37.30
617	IZF-25900	SPROCKET Z16	37.30
617	IZF-26000	SPROCKET Z17	37.30
617	IZF-26100	SPROCKET Z18	37.30
617	IZF-26200	SPROCKET Z19	37.30
617	IZF-26300	SPROCKET Z20	37.30
618	IZF-90120	SAFETY CONE SPRING "AL"	1.40
619	IZF-90025	O'RING 2075 NBR 70	0.29
620	IZF-25300	CHAIN SPROCKET SPACER	19.75
622	IZF-90075	SPACER RING	2.09
623	IZF-90400	ROLLER CAGE K20	13.14
624	IZF-20800	2nd G. DRIVEN GEAR	121.44
625	IZF-21200	6th G. DRIVEN GEAR	103.39
626	IZF-90050	SEEGER RING A24 DIN471	0.68

# GEARBOX

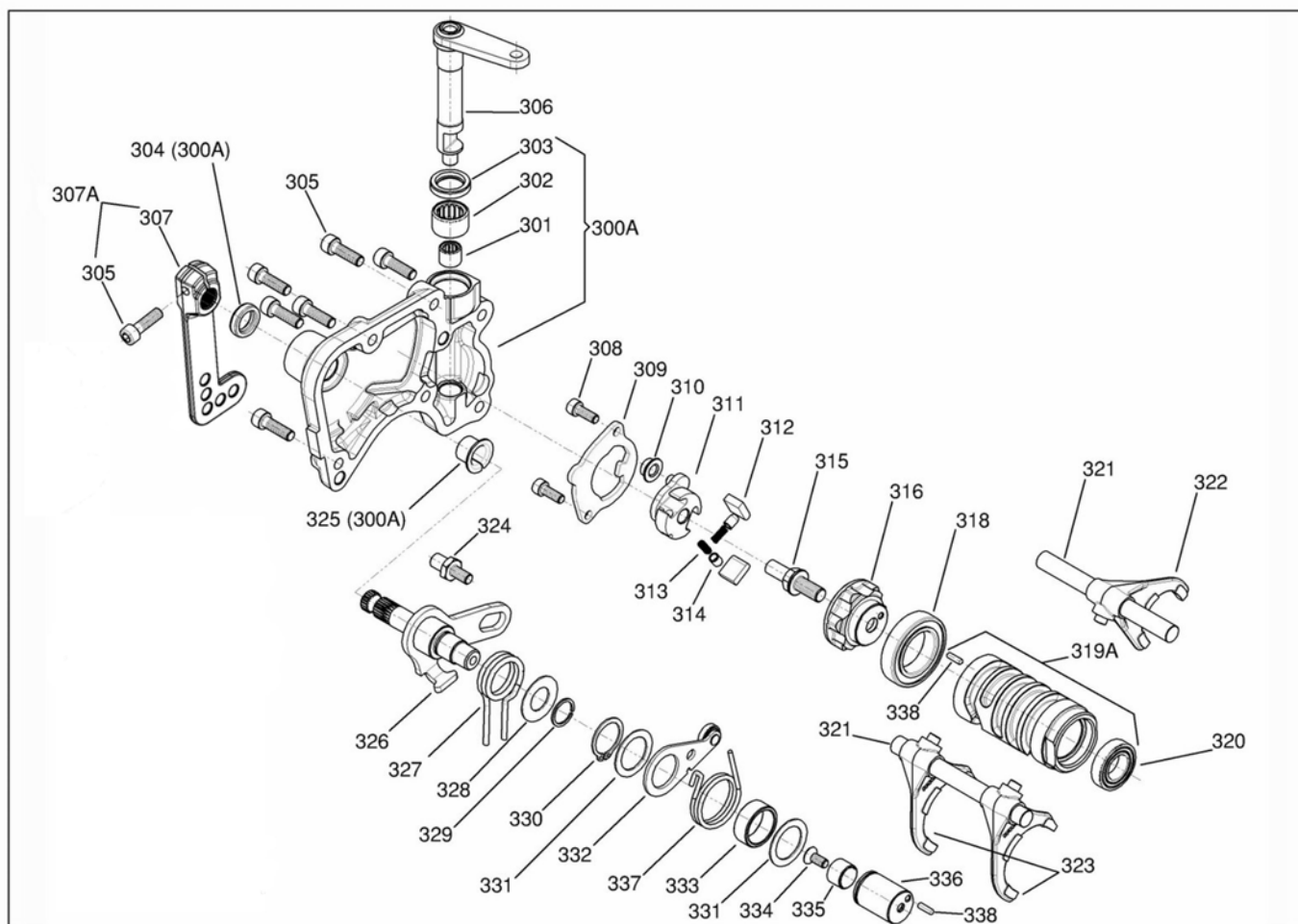


KT-008

## RICAMBI / SPARES

POS	COD	DESCR	PRICE \$
627	IZF-21700	SPLINED SHIM 21x32x0.8	8.03
628	IZF-21000	4th G. DRIVEN GEAR	111.86
629	IZF-20451A	SPLIT. ROLLER CAGE K20x24x10	31.70
630	IZF-21800	HALF SHIM 3rd / 4th SPEED	4.07
632	IZF-20900	3rd G. DRIVEN GEAR	150.24
635	IZF-21100	5th G. DRIVEN GEAR	108.72
636	IZF-21500	SHIM 1st SPEED	4.39
637	IZF-20700	1st G. DRIVEN GEAR	94.01
638	IZF-90405	ROLLER CAGE K17	19.22

# SELECTOR

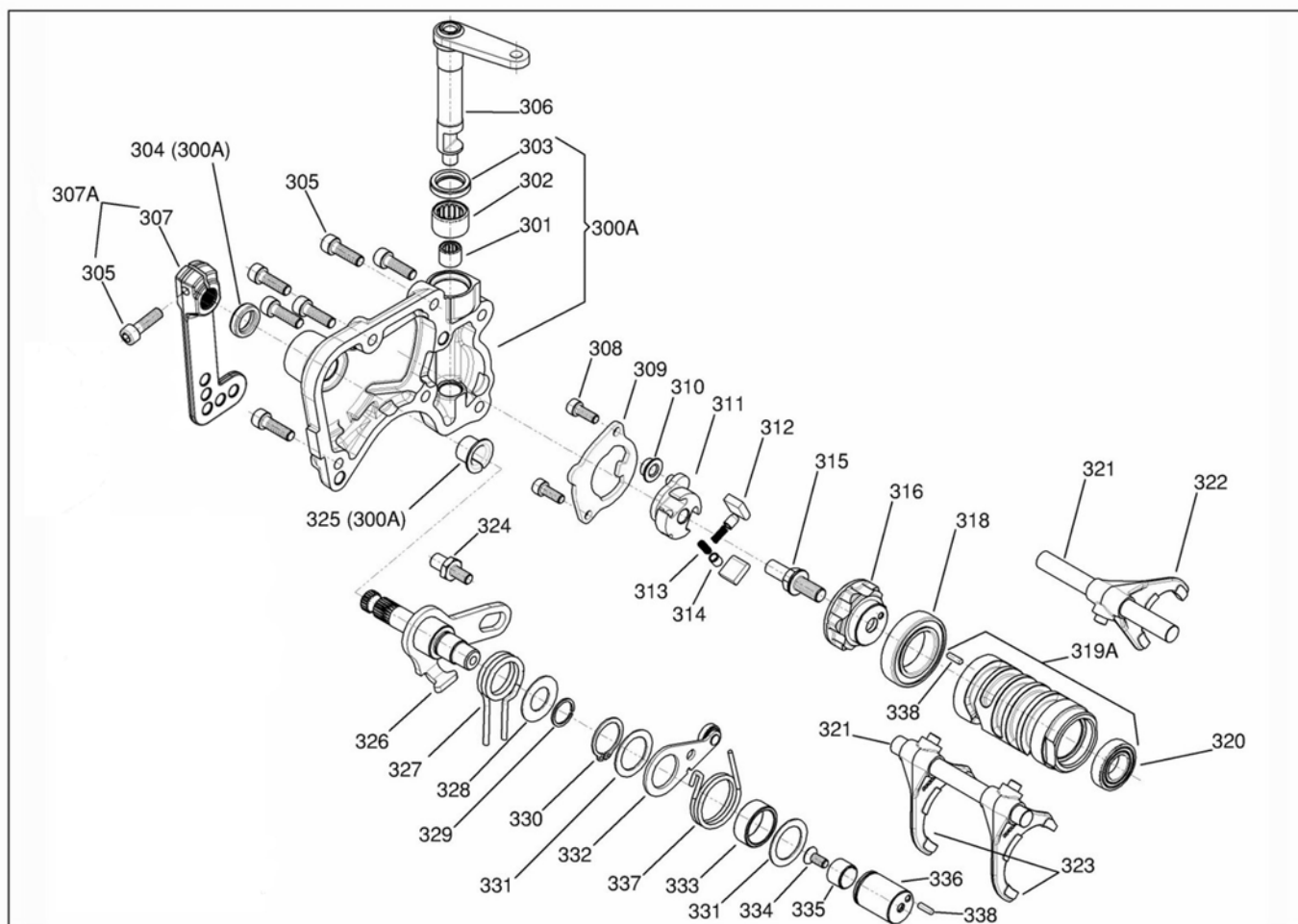


KT-009

## RICAMBI / SPARES

POS	COD	DESCR	PRICE \$
300A	IZB-05000A	COMPL.SELECTOR COVER X30 SHIF	153.05
301	A-60865	ROLLER CAGE TaG	11.28
302	IZF-90410A	NEEDLE BEARING HK1412	13.06
303	IZF-90125	OIL SEAL	6.44
304	IZF-90115	OIL SEAL	6.08
305	00044-K	KIT 20 ALLEN SCR. CYL. H. 6x20	4.88
306	IZF-01800	CLUTCH CONTROL LEVER	45.58
307A	Z1NF24900-C	SHIFT LEVER COMPLETE	38.35
308	00031-K	KIT OF 20 ALLEN SCREWS M5x16	5.08
309	IZF-23800	RATCHET PLATE	16.20
310	IZF-23700	SPRING LATCH SUPP. BUSH	9.61
311	IZF-23000	RATCHET SUPPORT	77.35
312	IZF-23400	SHIFTING RATCHET	17.64
313	IZF-23601	RATCHET PUSH PAD	1.73
314	IZF-23500	PUSH ROD RATCHET	7.74
315	IZF-22900	SHIFTER PIN	21.07
316	IZF-22000	PRESELECTOR CAM	99.17
318	IZF-90450	BALL BEARING 6905 T1x3	43.99
319A	IZF-22200-C	LIGHTENED SHIFTING DRUM	127.58
320	IZF-90455	BALL-BEARING 61902 T9C4	27.17
321	IZF-22800	FORKS GUIDE SHAFT	17.50
322	IZF-22400	SHIFTING PRIMARY FORK	116.57
323	IZF-22600	SHIFTER SECONDARY FORK	116.57
324	IZF-24800	RETAINER SPRING	14.98
325	IZF-90105	FLANGED BUSH	3.49
326	IZF-23100	PRESELECTOR CONTROL SHAFT	86.21
327	IZF-24000	PRESELECTOR SHAFT SPRING	6.23
328	IZF-25700	SPRING WASHER	3.96
329	IZF-90100	ELASTIC RING SW14	0.54

# SELECTOR

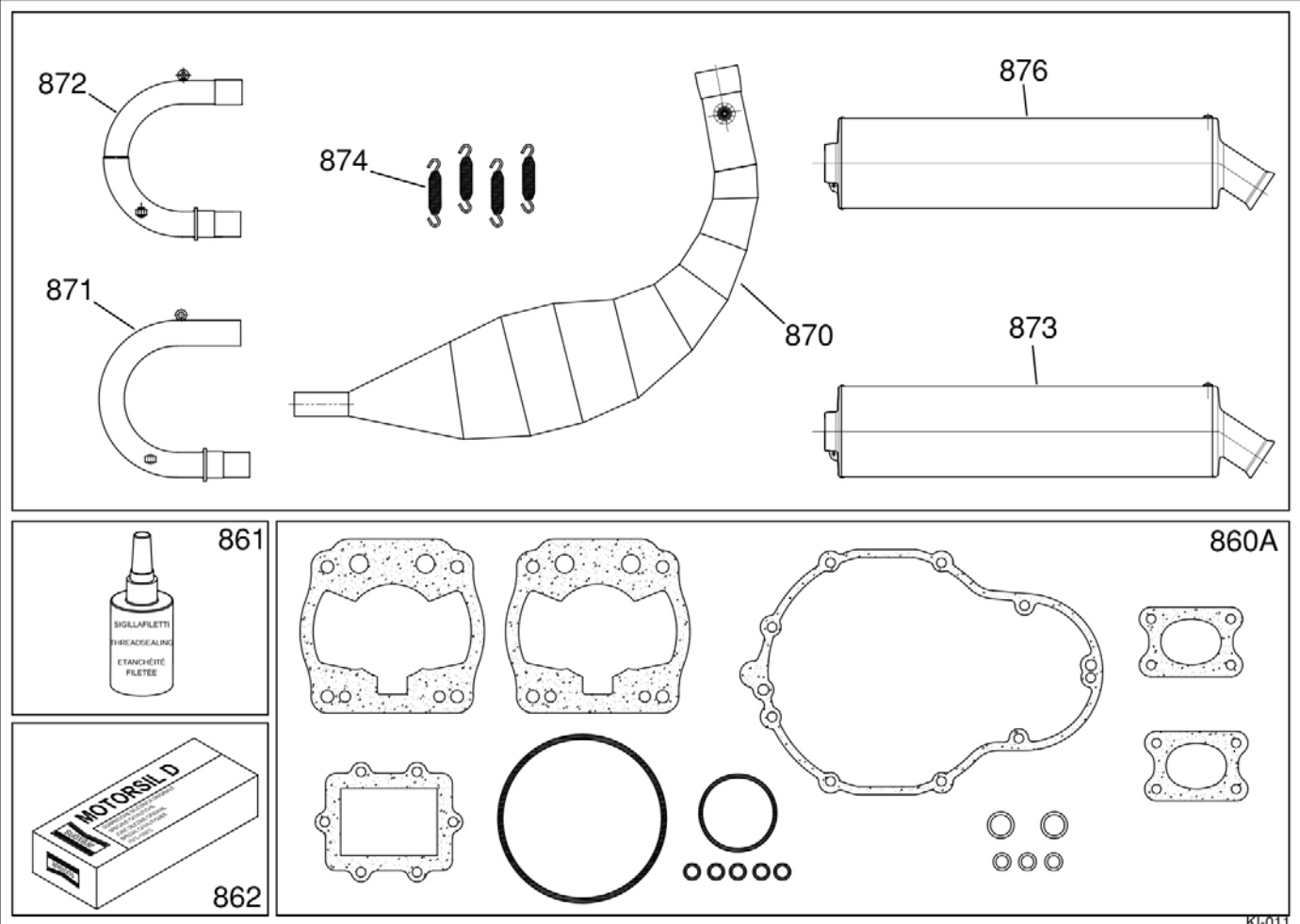


KT-009

## RICAMBI / SPARES

POS	COD	DESCR	PRICE \$
330	IZF-90055	SEEGER RING A20 DIN471	0.54
331	IZF-90075	SPACER RING	2.09
332	IZF-24600	LOCATING LEVER	49.94
333	IZF-24500	GEAR POSITION SPACER	31.25
334	00111-K	20 SCREWS KIT TORX M5x10	4.44
335	IZF-90110	BUSH MU TFP 1210	0.72
336	IZF-24100	SHIFTER PIN BUSH SUPPORT	28.18
337	IZF-24701	LOCATION LEVER SPRING	14.98
338	IZF-90085	NEEDLE N3x9.8 AB2	13.08
350	IZF-02600	SHORT FORK M6	11.41

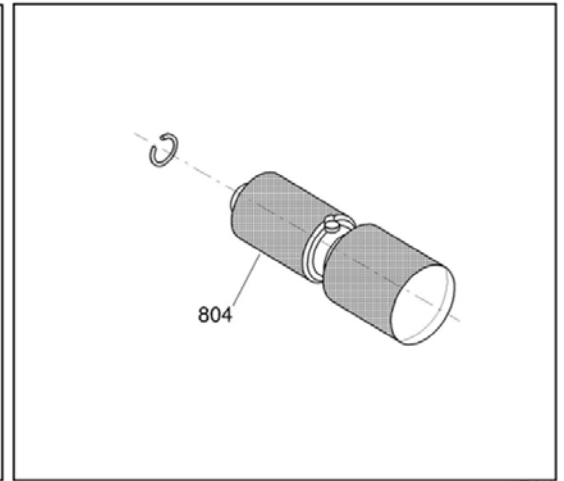
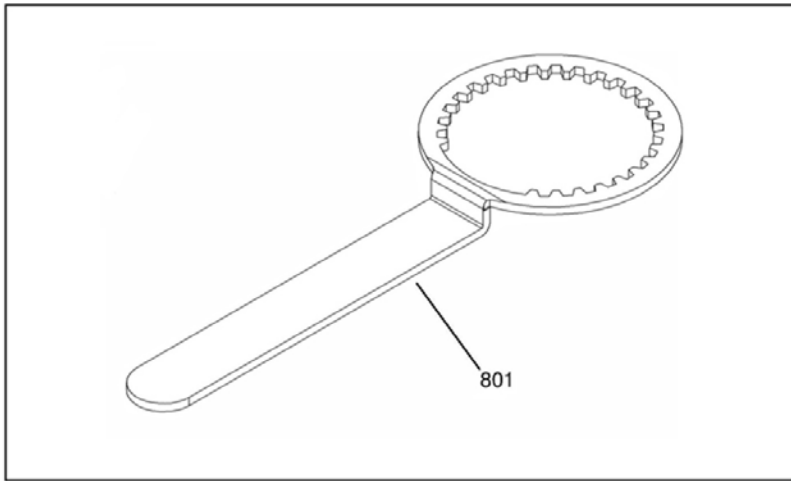
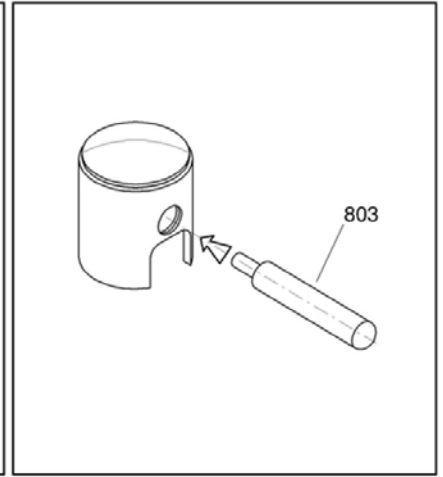
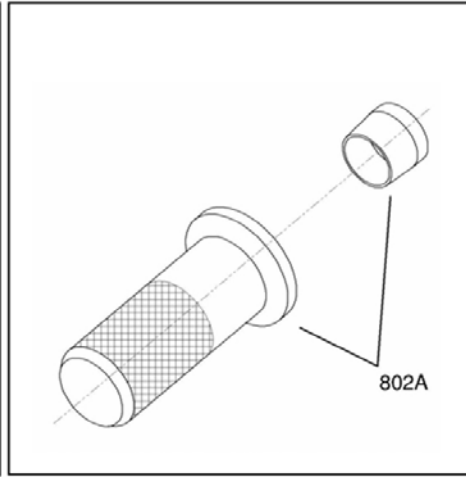
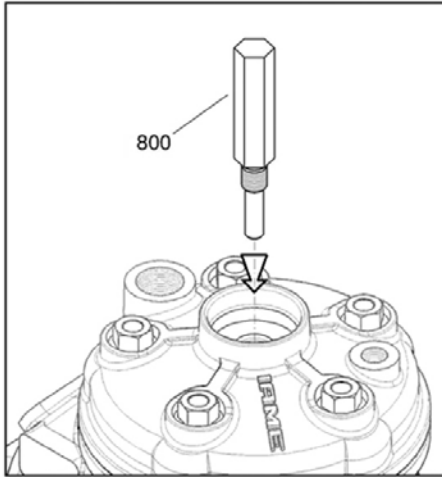
# EXHAUST



## RICAMBI / SPARES

POS	COD	DESCR	PRICE \$
860A	IZZ-125991	GASKETS SET 175cc	22.82
861	00600	PIPE FITTING SEAL	25.15
862	00602	GASKET AREXON	35.14
870	IZH-04000	EXHAUST MUFFLER KZ SHIFTER	356.18
871	IZH-06100	TAIL PIPE KZ 28mm	28.01
873	IZH-06000	ELTO SILENCER 125S KZ	229.25
874	IFH-55100	FLEXIBLE SPRING KF1-2 / KZ	9.32

# TOOLING



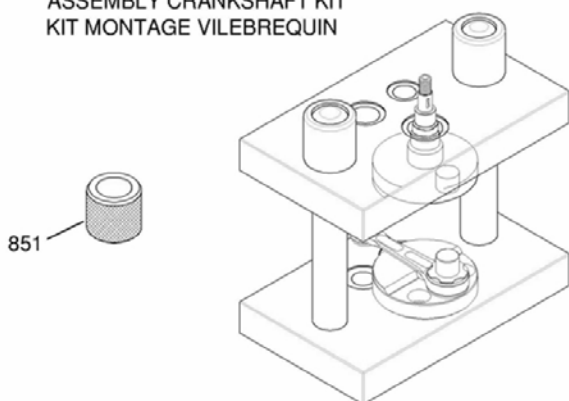
KT-012

## RICAMBI / SPARES

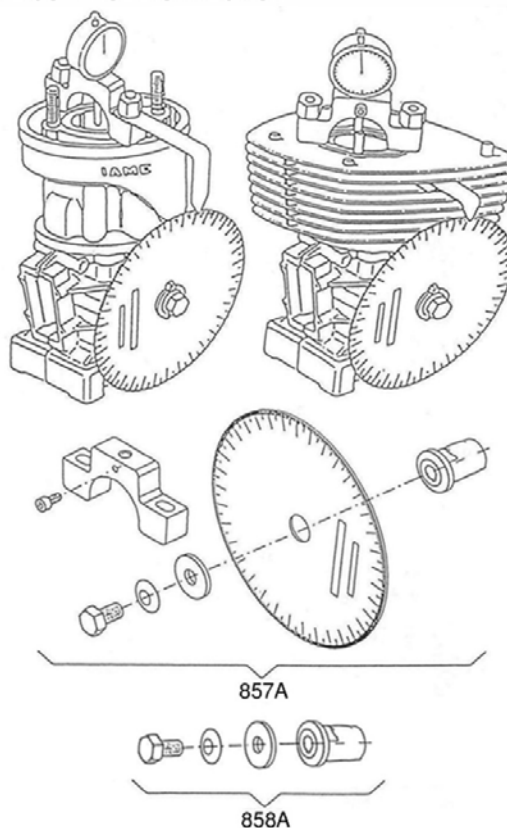
POS	COD	DESCR	PRICE \$
800	10271	PISTON STROKE LOCKER	38.12
801	ATT-031/2	CLUTCH DRUM LOCKING TOOL	39.82
802A	ATT-031/3	OIL SEAL MOUNTING TOOL	95.14
803	ATT-017	PISTON PIN PUNCH d.15mm	13.63
804	ATT-006	CIRCLIP 15mm ASSEM.TOOL	130.42

# ASS.CRANKSHAFT TOOL

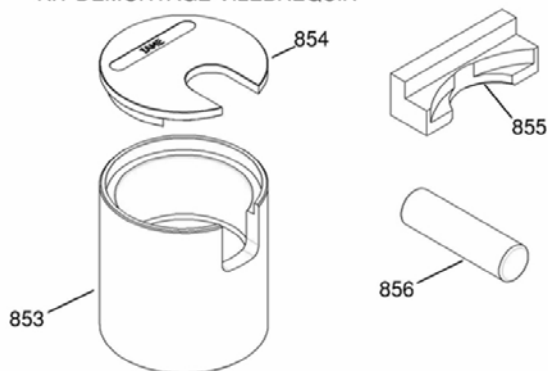
850A KIT MONTAGGIO ALBERO  
ASSEMBLY CRANKSHAFT KIT  
KIT MONTAGE VILEBREQUIN



GRUPPO CONTROLLO FASE  
TIMING CONTROL GROUP  
GROUPE CONTROL DISTRIBUTION



852A KIT SMONTAGGIO ALBERO  
CRANK DISASSEMBLING KIT  
KIT DEMONTAGE VILEBREQUIN



KT-013

## RICAMBI / SPARES

POS	COD	DESCR	PRICE \$
850A	10110A	CRANKSHAFT ASSY TOOL	1,956.82
851	10150A	CRANK-PIN BUSH 20mm	73.15
853	10100	CRANKSH. DISASSY SUPPORT	167.09
854	10104A	CRANKSHAFT PLATE 125cc	100.61
855	10106	CRANKSHAFT INSERT 125cc-SUP	54.29
856	10107	CRANK-PIN PUSHER	11.66
857A	10820A	TIMING CHECK DISC TaG/REEDSTER	124.80
858A	ATT-014-C	COMPLETE TIMING GROUP ADAPTER	32.45